

Sanitaryware Book

2022



RAK
CERAMICS

RAK
CERAMICS



At RAK Ceramics we help to create icons, we help to build marvels and our products feature in some of the most iconic buildings in the world.

We are known for our wide product range and our ability to produce bespoke ranges for both small and large scale projects, enabling our clients to bring their ideas to life.

We respect, we inspire, we improve, we deliver; today, tomorrow, no matter the ambition, no matter the challenge, at RAK Ceramics we take care of all the details, however large or small, so you don't have to.

Our passion and expertise combined with this careful attention to detail enables us to provide you with a wide range of integrated ceramics solutions, allowing you freedom to be creative and plenty of room for imagination.





THE COMPANY

RAK Ceramics is one of the largest ceramics' brands in the world. Specialising in ceramic and vitrified wall and floor tiles and sanitaryware, we produce 110 million square metres of tiles and 5 million pieces of sanitaryware per year at our 16 state-of-the-art plants across the United Arab Emirates, India, Bangladesh and Iran. Headquartered in the United Arab Emirates, we serve clients in more than 150 countries through our network of operational hubs in Europe, Middle East and North Africa, Asia, North and South America and Australia. Across our global operations we employ approximately 15,000 staff from more than 40 nationalities. We are a publicly listed company on the Abu Dhabi Securities Exchange in the United Arab Emirates and on the Dhaka Stock Exchange in Bangladesh and as a group have an annual turnover of approximately US\$1 billion.

PRODUCTION & QUALITY

Raw Materials, Glaze, Latest Technology and Manufacture

RAK Ceramics is internationally recognized for the high quality of its sanitary ceramics. This quality comes from carefully selected premium raw materials that ensure a perfect finish of the products.

Better ingredients, better sanitaryware!



12,000

sanitaryware pieces produced per day globally

500 PER HOUR

sanitaryware produced every hour globally



At RAK Ceramics skilled craftsmen work in harmony with the latest robot technology for the sanitaryware manufacturing.

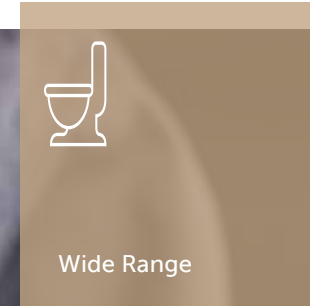
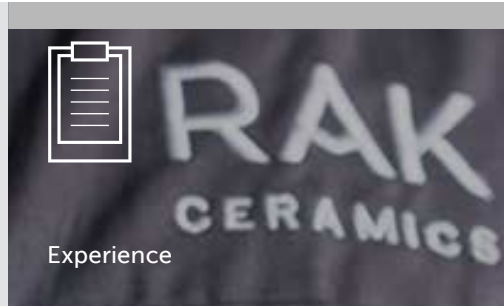
PRODUCTION & QUALITY

Quality, Procedures, Organization and Norms

Every phase of the RAK Ceramics sanitaryware production process counts on strict quality control procedures. The leadership in the GCC Region and the strong presence in several other international markets reflect our everyday efforts. Our internal Norms comply and exceed the international requirements in terms of quality and performance.

Seat Covers, Bathtubs and Shower Trays

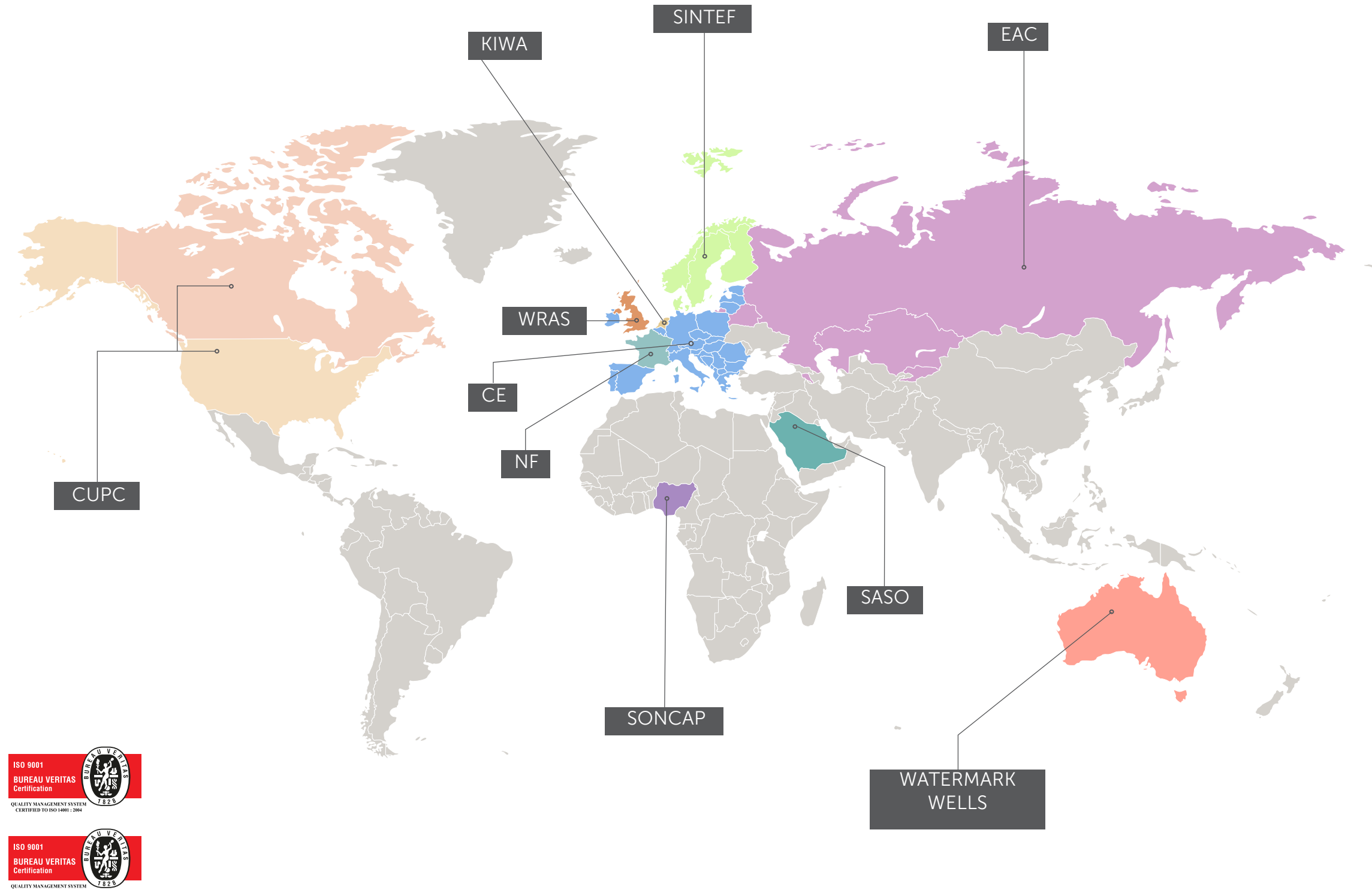
At RAK Ceramics we are not just ceramic experts. We manufacture also seatcovers, acrylic bathtubs and showertrays.



CERTIFICATIONS & TESTS

Global Approvals & Standards

RAK Ceramics Sanitaryware production is accredited with the world's most reputable certification entities; with national and international certifications for product and processes, RAK Ceramics not only complies to the requirements, but often exceeds the most stringent international standards. Our own water/air severe product testing is performed on the 100% of WC & Bidet production. Only complying products are labeled with our new QC sticker: a seal of quality and performance!

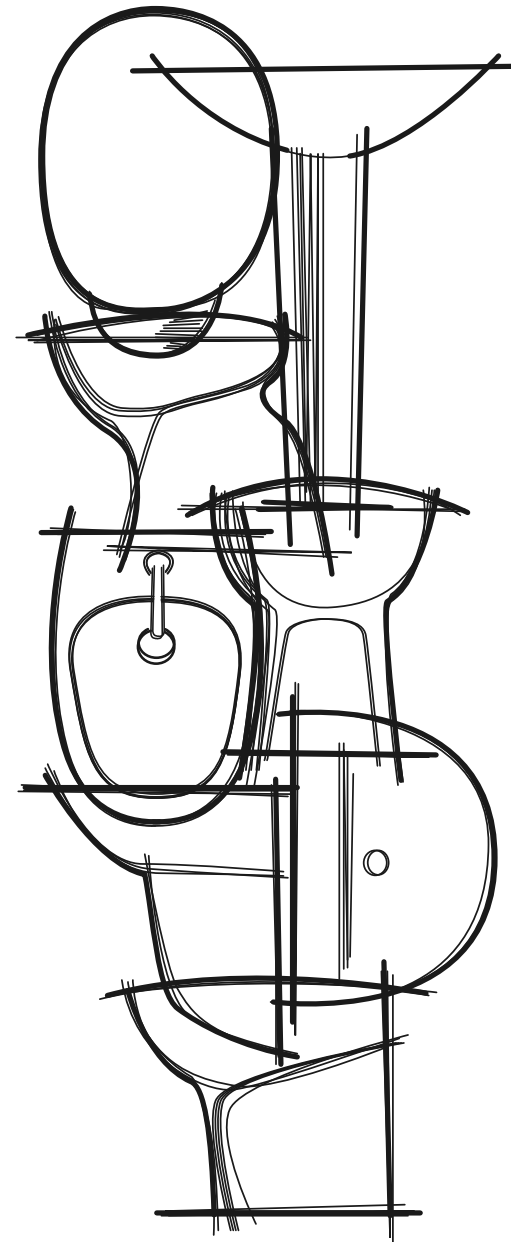


DESIGN & STYLE

Innovative and Original Design, 3D Development, Rapid Prototyping

RAK Ceramics product development has created a very wide range of products with carefully finished details and quality design to suit international tastes, incorporating the latest rimless technology.

Carefully designed and engineered with the aid of the latest 3D CAD softwares and prototyped with 5 axis CNC machines, RAK Ceramics Sanitaryware range has the perfect solution for your bathroom, whatever you have imagined.



design
RAK
CERAMICS



WATER SAVING

Can we save water in our bathrooms?

One of the easiest ways to save water is to install a toilet with a dual-flush cistern.

Dual-flush cisterns let the user choose how much water to use when flushing the toilet and they are designed for wall-hung, back-to-wall and close coupled water closets.

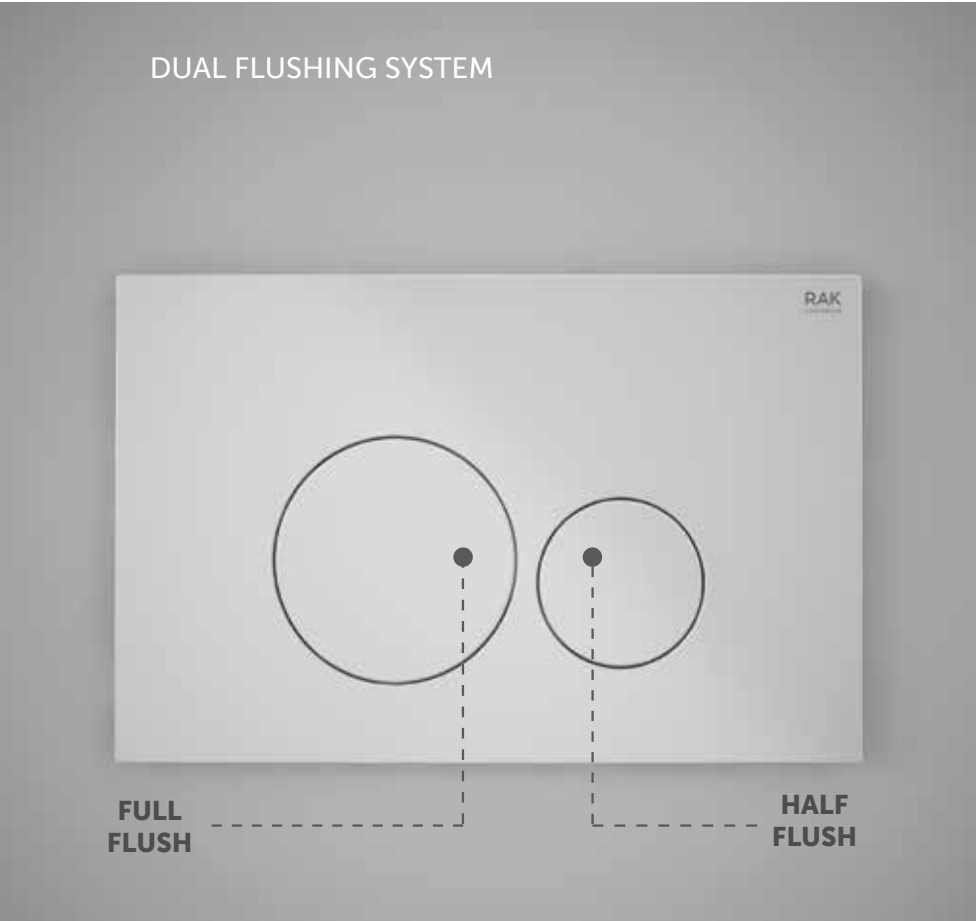
RAK Ceramics flushing systems, allow you to choose using the full flush or the half flush, with different flushing volumes: 6 Liters for the full and 3 Liters for the half flush. The cisterns can also be adjusted to flush with a reduced full flush volume at 4.5 Liters.

For countries with limited water resources, RAK Ceramics has developed innovative water closets perfectly flushing with a reduced 3 Liters single flush.

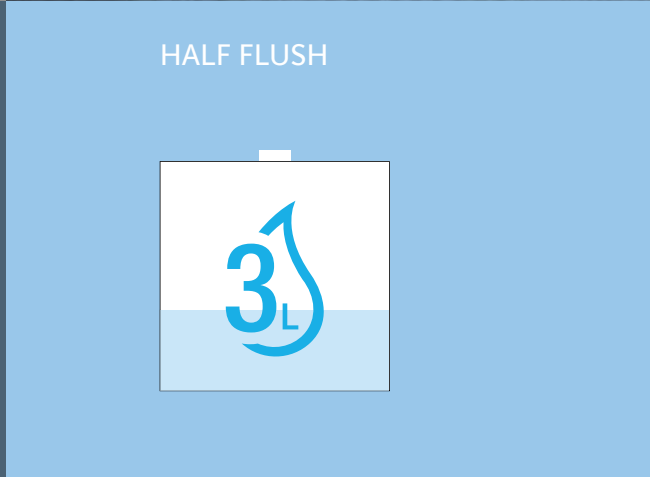
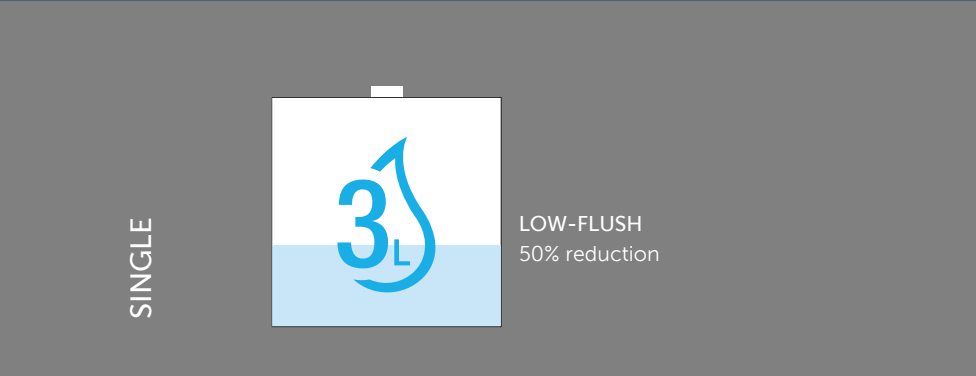
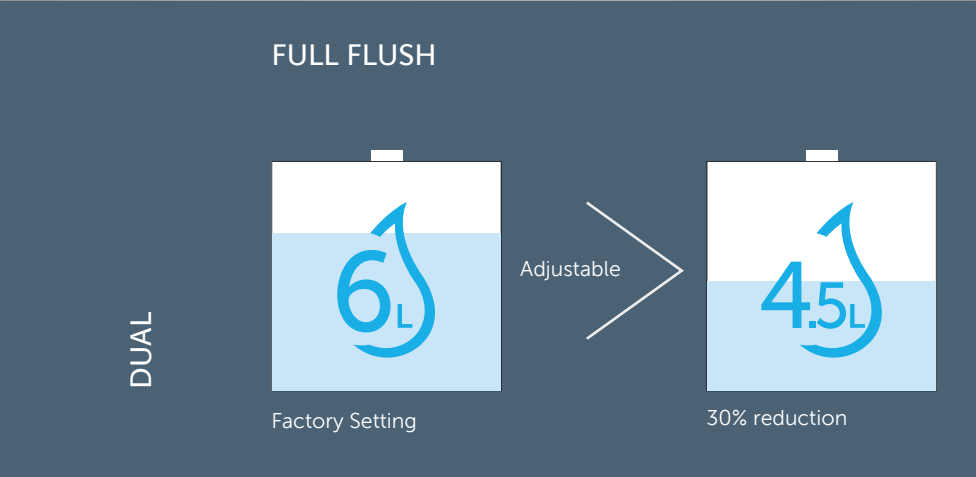
By using a lower volume of water to flush the toilet you can dramatically reduce your annual water consumption.



RAK ECOFIX FLUSHING SYSTEM + WH or BTW WC



CLOSED COUPLED WC



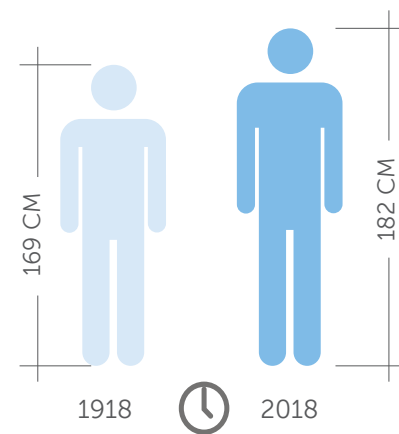
EVOLUTION

Comfort height, updated ergonomics

Over the last 100 years, the average height of people in industrialized nations has increased approximately by 10 cm. To be innovative in design also means meeting the changes in population and their new needs in terms of ergonomics and comfort.

RAK Ceramics design evolves together with human evolution.

NEW STANDARD HEIGHTS



RIMLESS

The Ultimate Rimless Technology for your bathroom

HYGIENIC AND EASY TO CLEAN

The water closets have no rims to harbour germs, making cleaning quick, easy and more hygienic.

WATER SAVING

Using just 4 litres for the full flush and 2.5 litres for the half flush, water usage is reduced by a third.

EFFICIENT DESIGN

Design and efficiency can be successfully combined. Water flows vertically and horizontally, before flushing the entire inner surface of the bowl, without splashing.

SILENT FLUSH

Rimless technology allows a faster and more silent flush.



EASY TO CLEAN,
WITH LOW WATER CONSUMPTION.



Water Saving



Easy Cleaning



Silent



Hygienic



No ledges or rim



Rimless





INDEX



ONE PIECE
Floor Mounted S TRAP
24-31

COUPLE CLOSET
Floor Mounted S/P TRAP
32-33



WALL HUNGS
34-41
EXTENDED WALL HUNGS
42-43



TABLE TOPS
44-55
RAK-CURVE
56-59
UNDER COUNTER
60-61
OVER COUNTER
62-65



INTEGRATED WB
66-67
REGULAR WB
68-69

FULL PEDESTAL
70-75
HALF PEDESTAL
76-81

SEMI RECESSED
81

PANS & URINALS
82-85

E.W.C. P & S TRAP
86-87

CISTERN & HEALTH FAUCETS
88-90

RAK-EUROPA
91

CONTROL PLATES
92-93

ONE PIECE

FLOOR MOUNTED S TRAP



RECTA DLX

S Trap 220
Soft Close Seat Cover & Fitting

Notes

All dimensions in mm tolerance +5% for below 200mm and +3% for above 200mm | Colours shown here are as close to actual sanitaryware as printing process will allow

ONE PIECE

FLOOR MOUNTED S TRAP

Models



VICTORIA
S Trap 220 & 300 with Soft Close Seat Cover & Fitting
700X425X780



MONET
S Trap 220 & 300 with Soft Close Seat Cover & Fitting
690X395X780

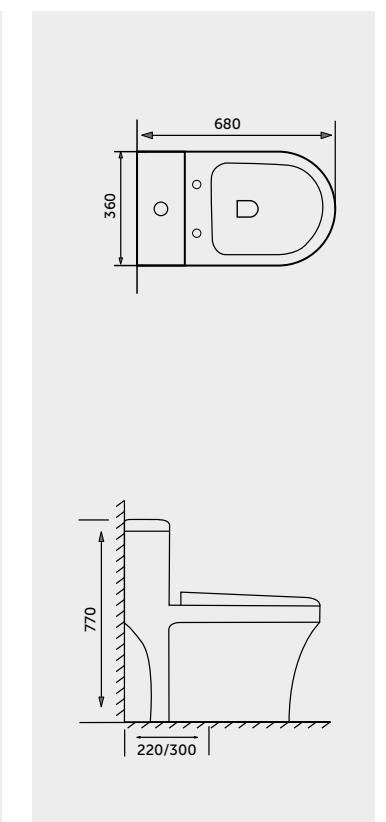
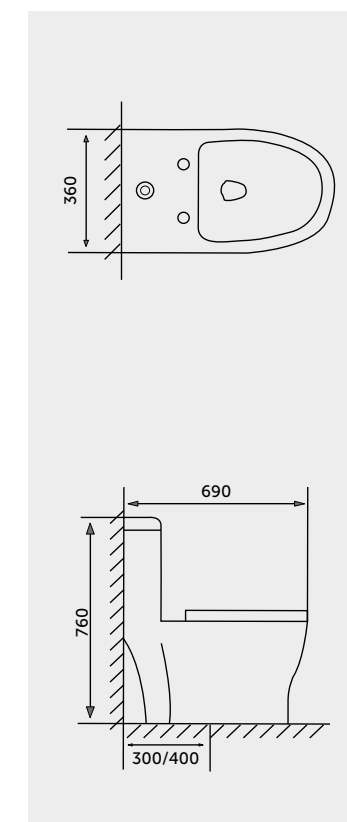
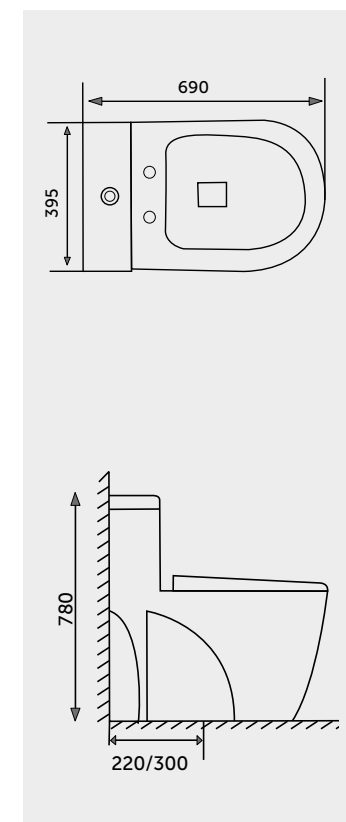
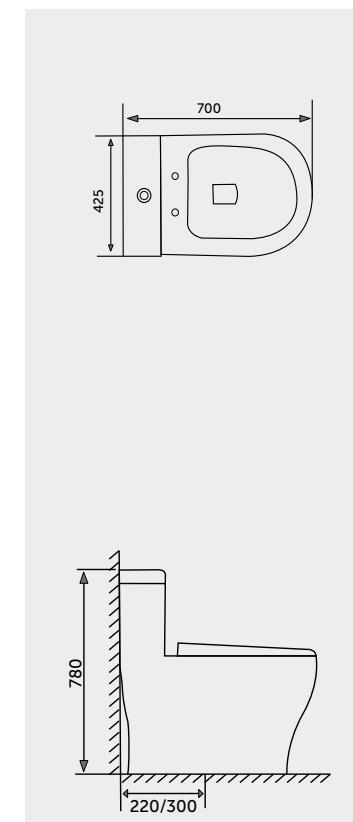


HUGO
S Trap 300 with Soft Close Seat Cover & Fitting
690X360X760



MAGNUS
S Trap 220 & 300 with Soft Close Seat Cover & Fitting
680X360X770

Measurements



Notes

All dimensions in mm tolerance +5% for below 200mm and +3% for above 200mm | Colours shown here are as close to actual sanitaryware as printing process will allow

ONE PIECE FLOOR MOUNTED S TRAP

Models



SPORTY
S Trap 220 & 300
Soft Close Seat Cover & Fitting
650X360X735



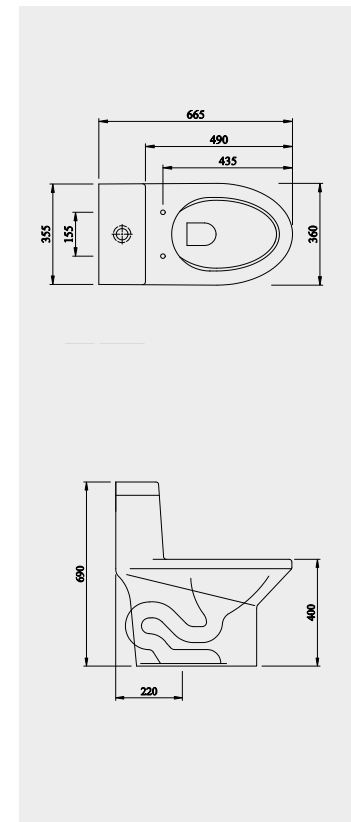
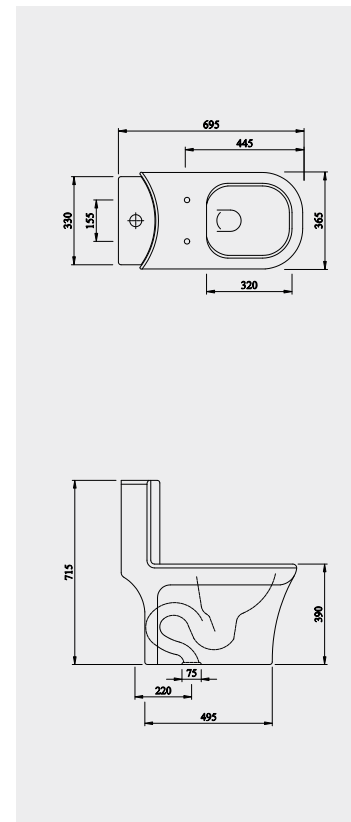
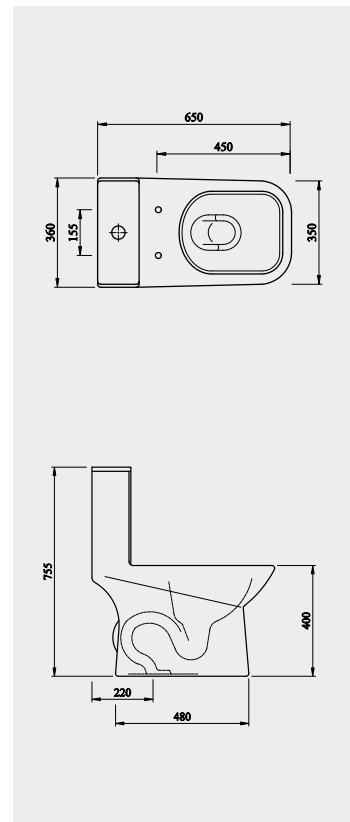
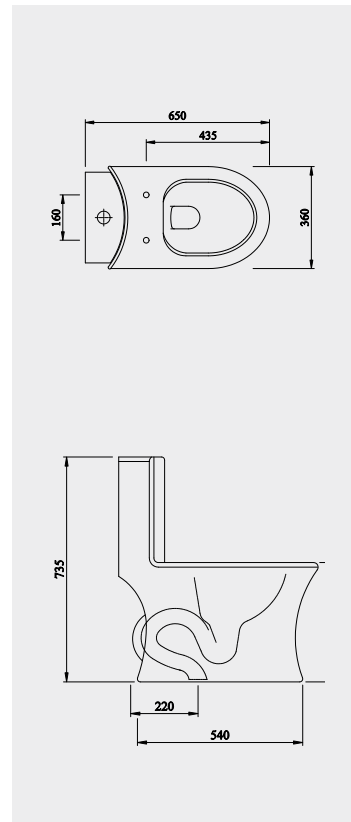
RECTA DLX
S Trap 220
Soft Close Seat Cover & Fitting
650X350X755



PLUTO DLX
S Trap 220
Soft Close Seat Cover & Fitting
695X365X715



KARLA
S Trap 220/300
Soft Close Seat Cover & Fitting
665X355X690



Notes

All dimensions in mm tolerance +5% for below 200mm and +3% for above 200mm | Colours shown here are as close to actual sanitaryware as printing process will allow

ONE PIECE FLOOR MOUNTED S TRAP

Models



KARLA
P Trap 180
Soft Close Seat Cover & Fitting
665X355X690



LIWA
S Trap 220
Soft Close Seat Cover & Fitting
685X345X680

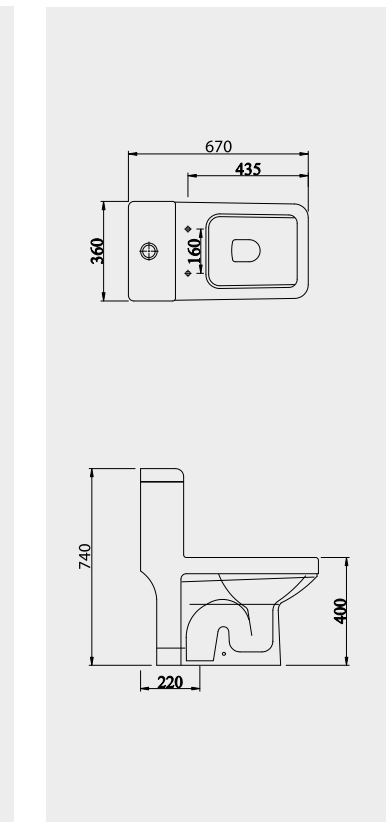
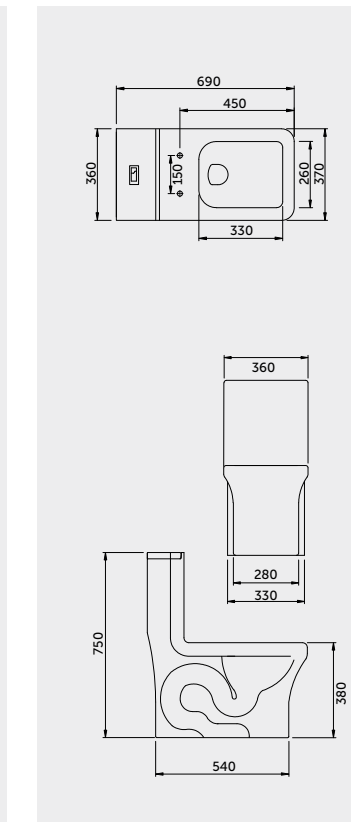
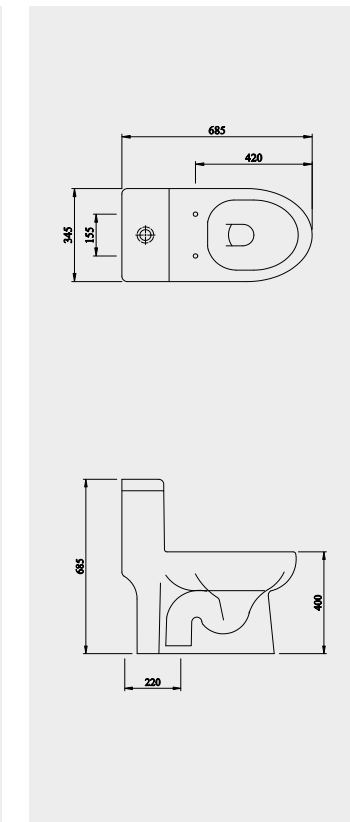
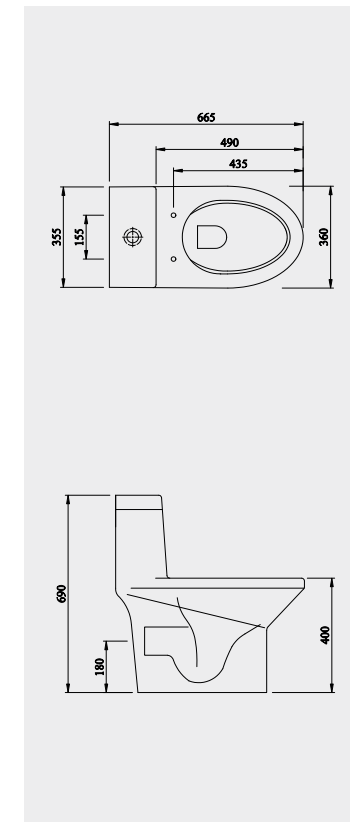


CRISTINA
S Trap 220 & 300 with
Soft Close Seat Cover & Fitting
690X370X750



FLORA
S Trap 220
Soft Close Seat Cover & Fitting
670X360X740

Measurements



Notes

All dimensions in mm tolerance +5% for below 200mm and +3% for above 200mm | Colours shown here are as close to actual sanitaryware as printing process will allow

ONE PIECE

FLOOR MOUNTED S TRAP

Models



GEM
S Trap 220
Recta PP Soft Close SC & Fitting
660X360X750



ORBIT
S Trap 220 & 300
P Trap 180
Soft Close Seat Cover & Fitting
700X355X765

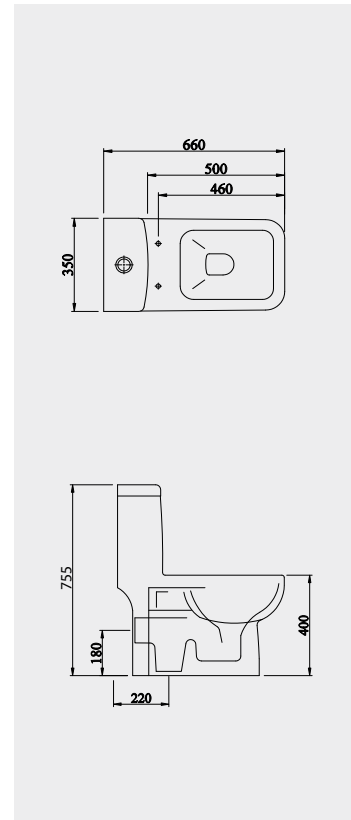
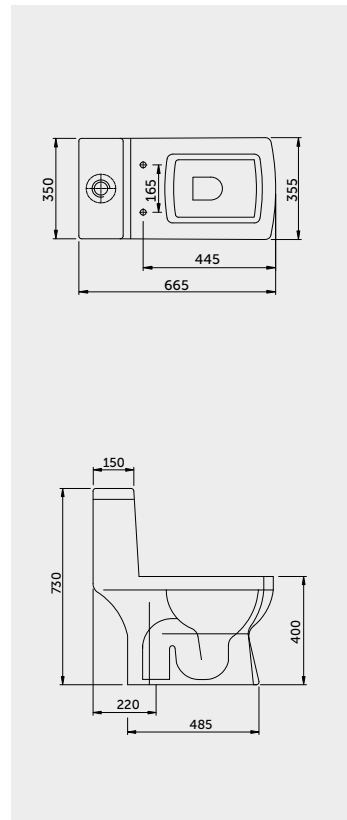
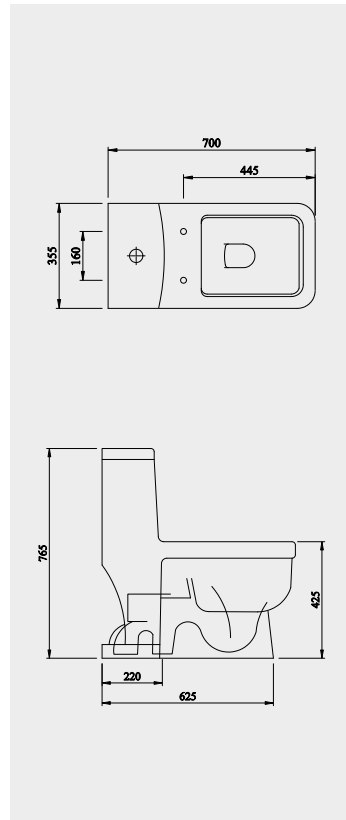
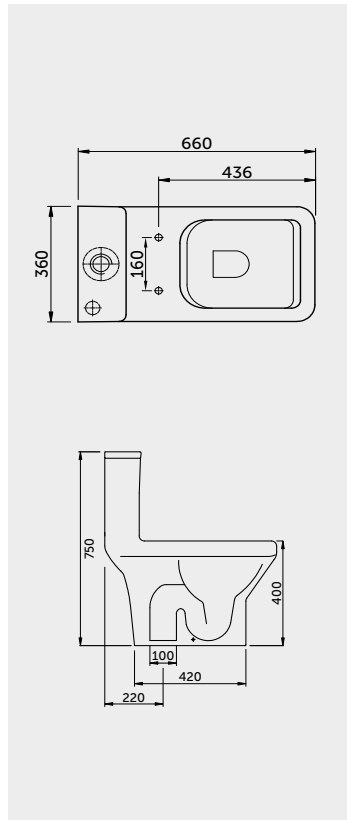


ASTOR
S Trap 220
Soft Close Seat Cover & Fitting
665X355X730



ZAC
S Trap 220
Soft Close Seat Cover & Fitting
660X350X755

Measurements



Notes

All dimensions in mm tolerance +5% for below 200mm and +3% for above 200mm | Colours shown here are as close to actual sanitaryware as printing process will allow

ONE PIECE

FLOOR MOUNTED S TRAP



BIANCA
S Trap 220 & 300
Soft Close Seat Cover & Fitting
650X345X685



ORCHID
S Trap 220
P TRAP 180
Soft Close Seat Cover & Fitting
700X355X765

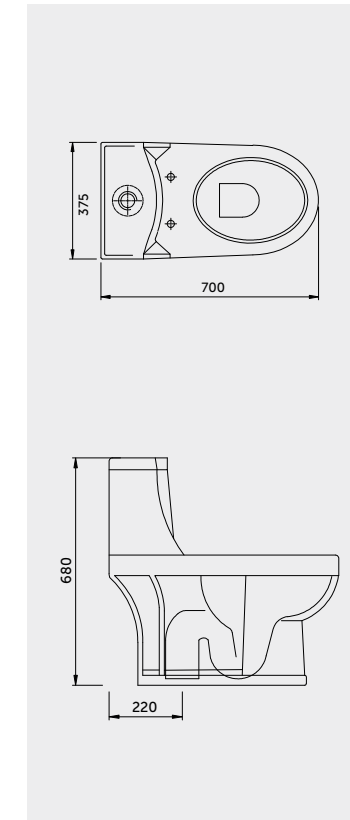
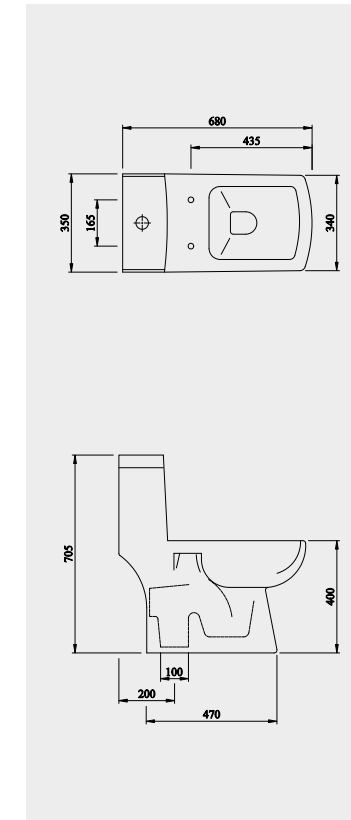
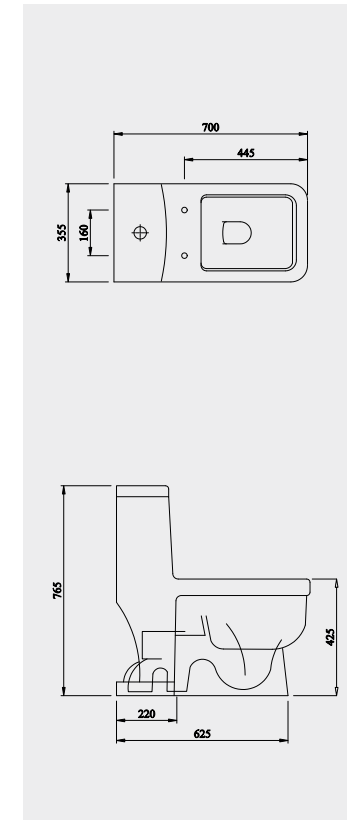
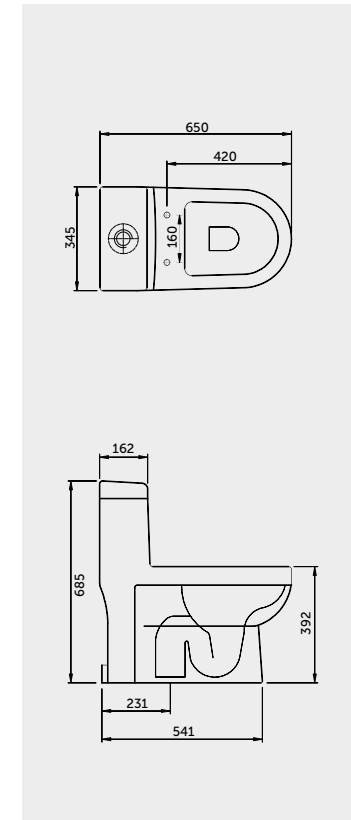


SHINE
S Trap 220
P Trap 180
Soft Close Seat Cover & Fitting
680X350X705



CLARA
S Trap 220
Soft Close Seat Cover & Fitting
700X375X680

Measurements



Colours available

All dimensions in mm tolerance +5% for below 200mm and +3% for above 200mm | Colours shown here are as close to actual sanitaryware as printing process will allow

ONE PIECE

FLOOR MOUNTED S TRAP

ONE PIECE

FLOOR MOUNTED S TRAP

Models

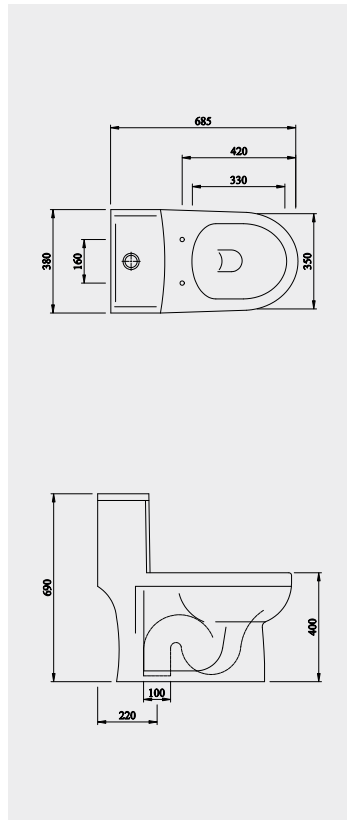
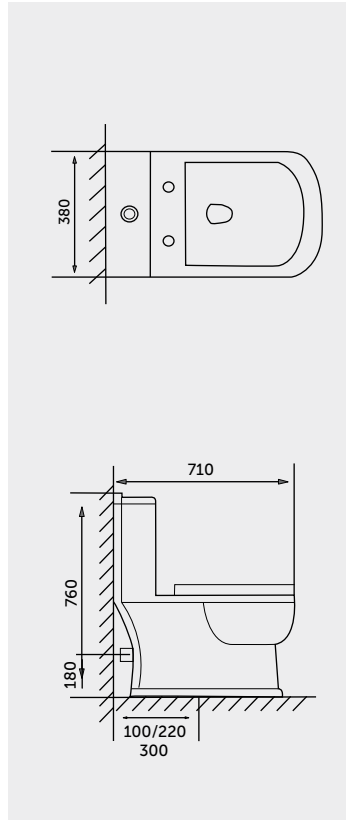
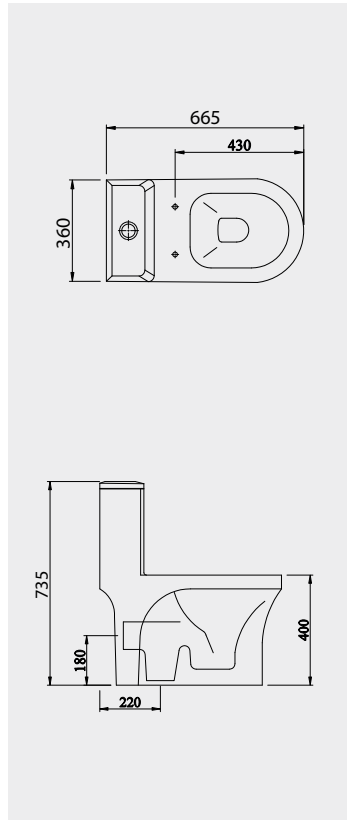


CURVE
S Trap 180 & 220
Soft Close Seat Cover & Fitting
665X360X735

INEZ
S Trap 100
P Trap 180
Soft Close Seat Cover & Fitting
710X380X760

GLORIA
S Trap 220
P Trap 180
Soft Close Seat Cover & Fitting
685X380X690

Measurements



PLUTO DLX

S Trap 220
Soft Close Seat Cover & Fitting

Notes

All dimensions in mm tolerance +5% for below 200mm and +3% for above 200mm | Colours shown here are as close to actual sanitaryware as printing process will allow

Colours available

All dimensions in mm tolerance +5% for below 200mm and +3% for above 200mm | Colours shown here are as close to actual sanitaryware as printing process will allow

COUPLE CLOSET

FLOOR MOUNTED S/P TRAP

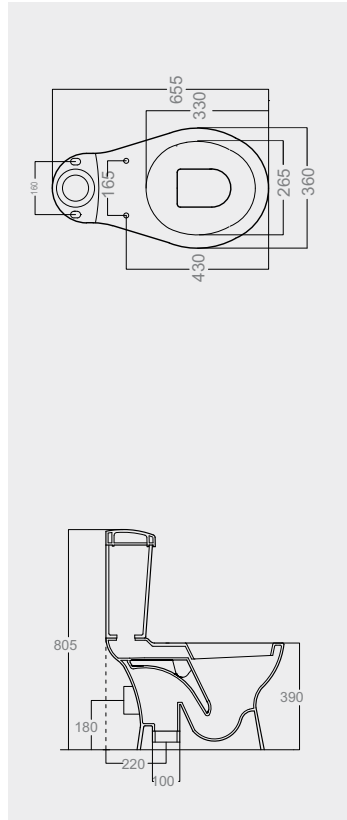
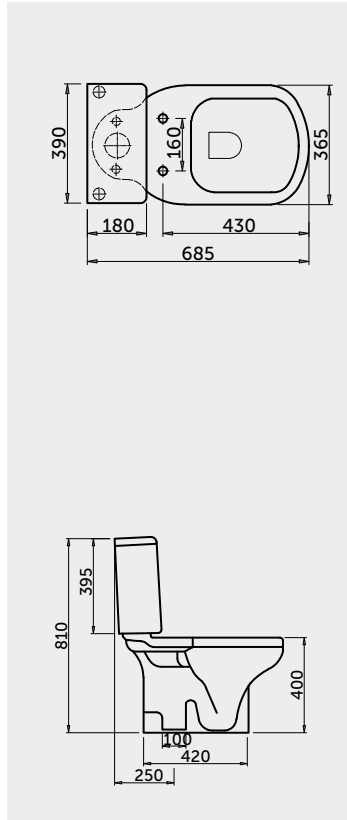
Models



LIWA
S Trap 240
Cistern with Flush Fitting
Universal P. P. Plain Seat Cover
240 - 685X365X400 (4.5 L)
300 - 725X365X395

PLUTO
S Trap 220
Cistern with Flush Fitting
Standard P. P. Plain Seat Cover
655X360X390

Measurements



Notes

All dimensions in mm tolerance +5% for below 200mm and +3% for above 200mm | Colours shown here are as close to actual sanitaryware as printing process will allow

COUPLE CLOSET

FLOOR MOUNTED S/P TRAP



LIWA

S Trap 240
Cistern with Flush Fitting
Universal P. P. Plain Seat Cover

Notes

All dimensions in mm tolerance +5% for below 200mm and +3% for above 200mm | Colours shown here are as close to actual sanitaryware as printing process will allow



CURVE

Water Closet
PP Soft close SC
480X360X375

Notes

All dimensions in mm tolerance +5% for below 200mm and +3% for above 200mm | Colours shown here are as close to actual sanitaryware as printing process will allow

Models



RECTA
Water Closet
Recta P. P. Soft Close SC
530X340X360
With JET OR Without JET



BRILL
Water Closet
Soft close SC
545X360X380

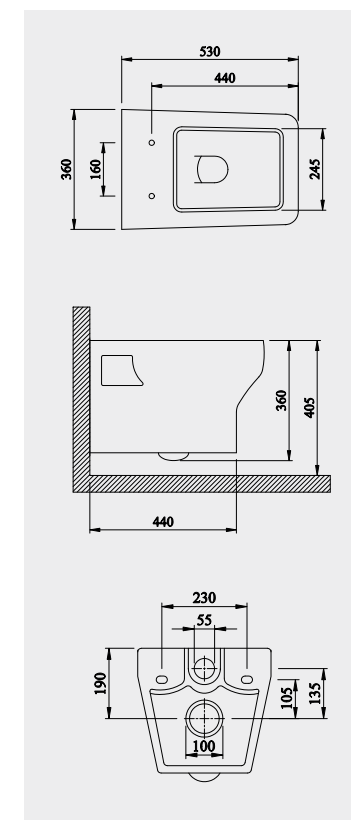
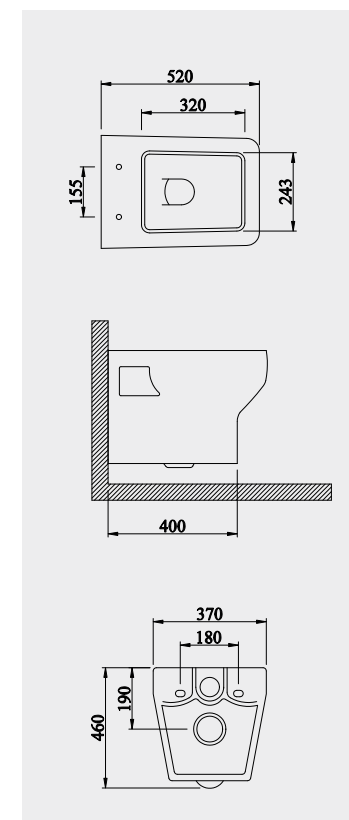
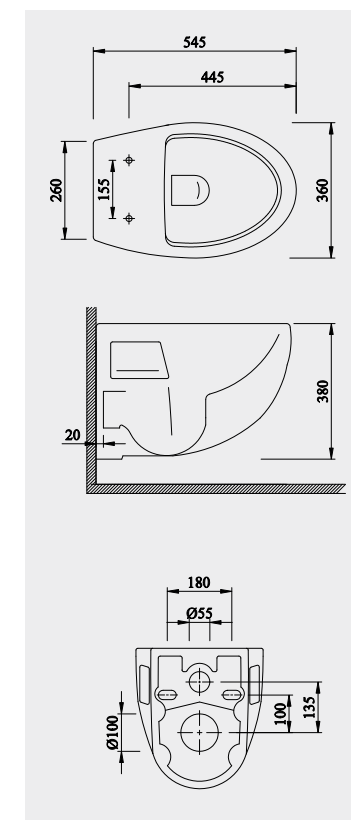
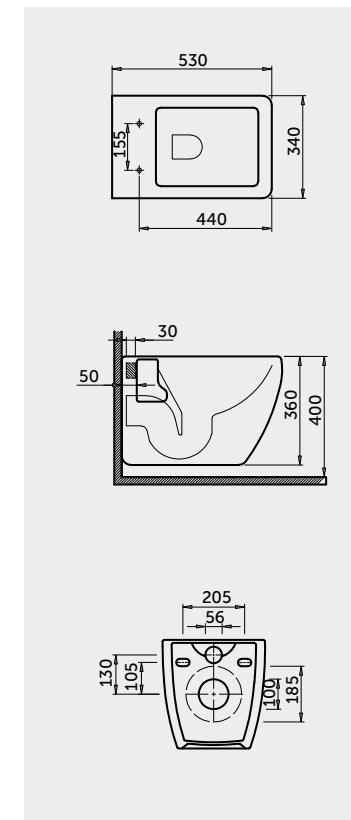


ZAC
Water Closet
Soft close SC
520X370X460



ZAC DELUXE
Water Closet
Soft close SC
530X360X360

Measurements



Notes

All dimensions in mm tolerance +5% for below 200mm and +3% for above 200mm | Colours shown here are as close to actual sanitaryware as printing process will allow



LIWA Water Closet
Liwa Soft close SC
500X370X365

Notes
All dimensions in mm tolerance +5% for below 200mm and +3% for above 200mm | Colours shown here are as close to actual sanitaryware as printing process will allow

Models



GEM Water Closet
Recta PP Soft close SC
540X345X360
With JET OR Without JET



LIWA Water Closet
Liwa Soft close SC
500X370X365

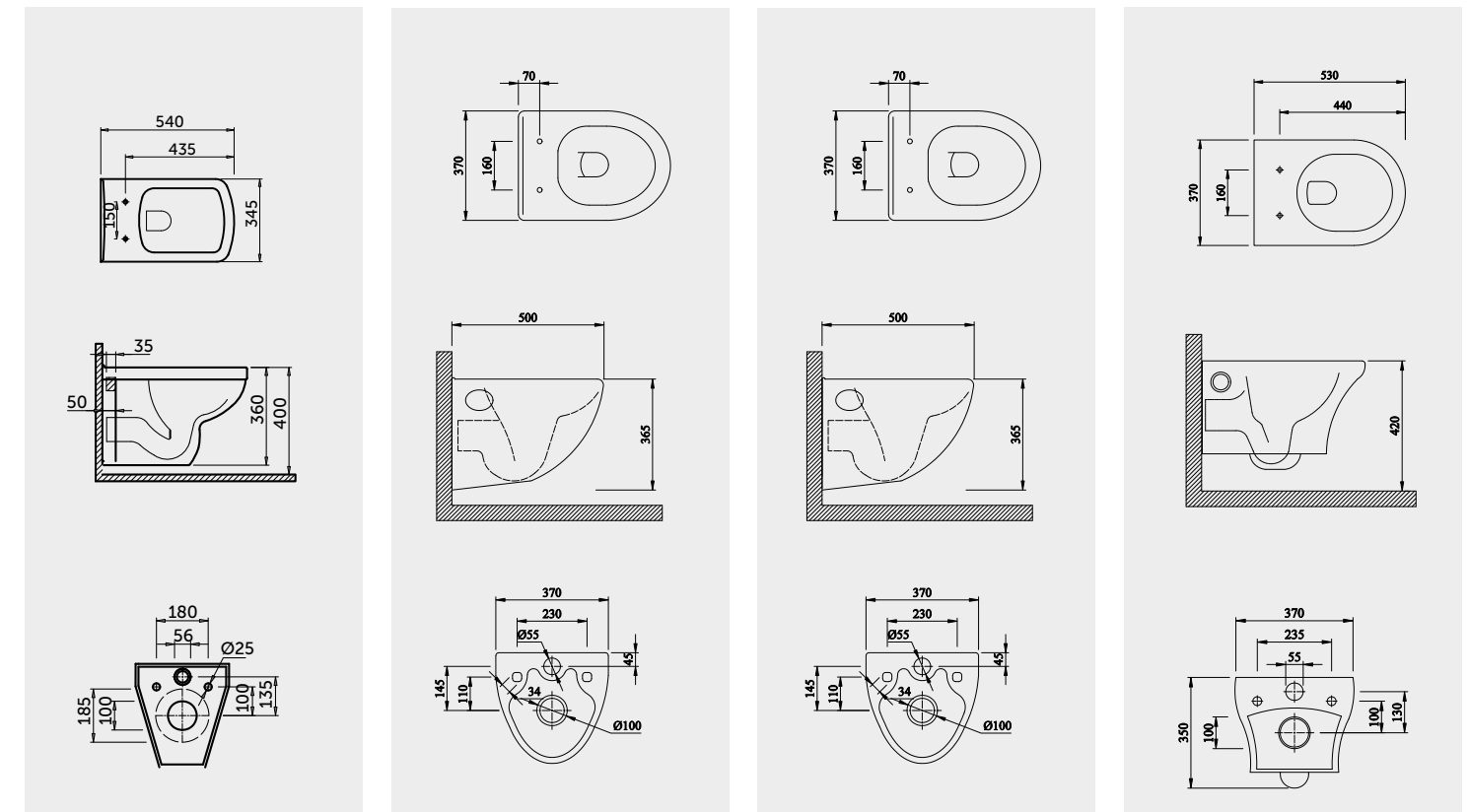


LIWA Water Closet
PP Soft close SC
500X370X365



SPORTY Water Closet
Liwa Soft close SC
530X370X350

Measurements



Urea RAK-MOON

Notes
All dimensions in mm tolerance +5% for below 200mm and +3% for above 200mm | Colours shown here are as close to actual sanitaryware as printing process will allow

Models



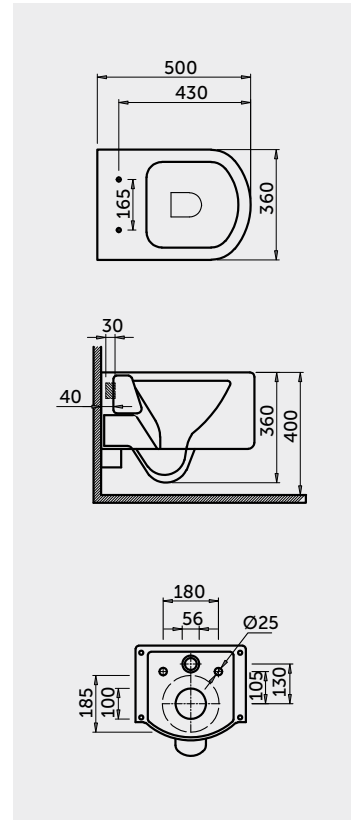
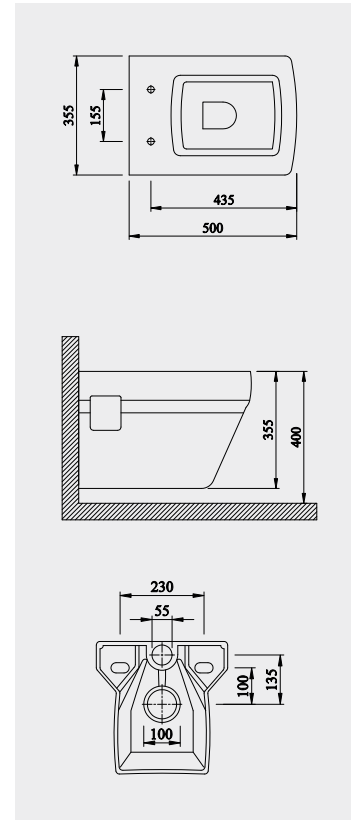
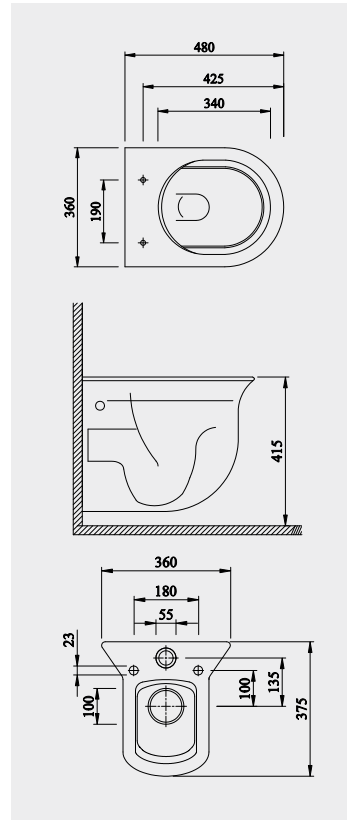
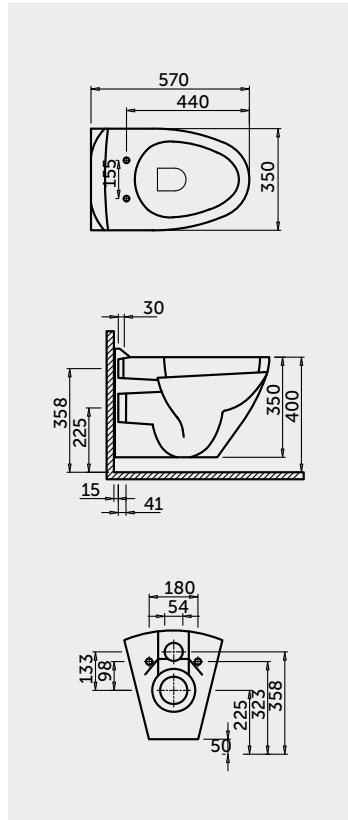
VENICE
Water Closet
Venice PP Soft close SC
570X350X350

CURVE
Water Closet
PP Soft close SC
480X360X375

ASTOR
Water Closet
PP Soft close SC
Astor Duroplast SC
500X355X355

SMART
Water Closet
Universal P. P. Plain SC
500X360X360

Measurements



Notes

All dimensions in mm tolerance +5% for below 200mm and +3% for above 200mm | Colours shown here are as close to actual sanitaryware as printing process will allow

Models

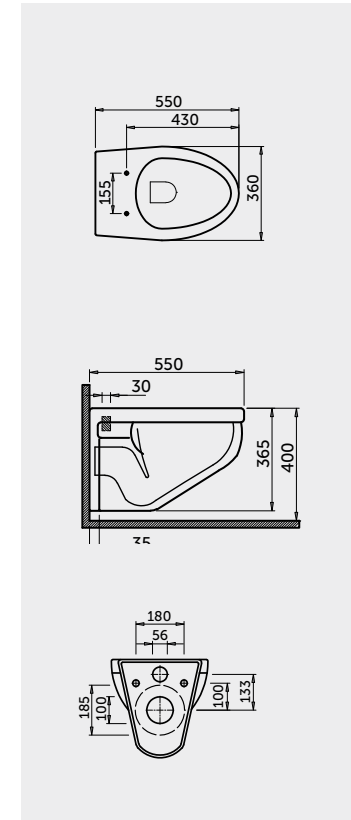
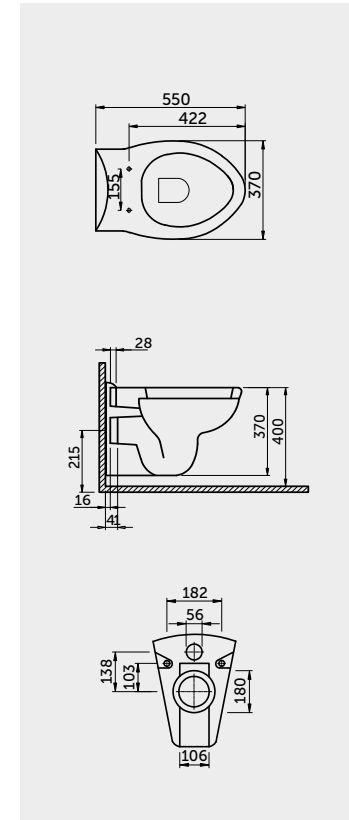
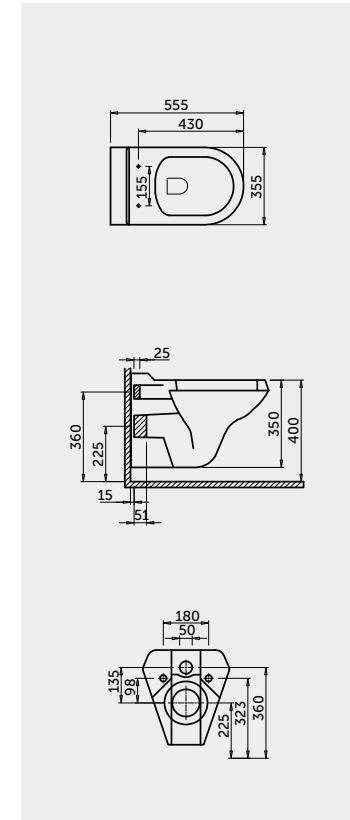
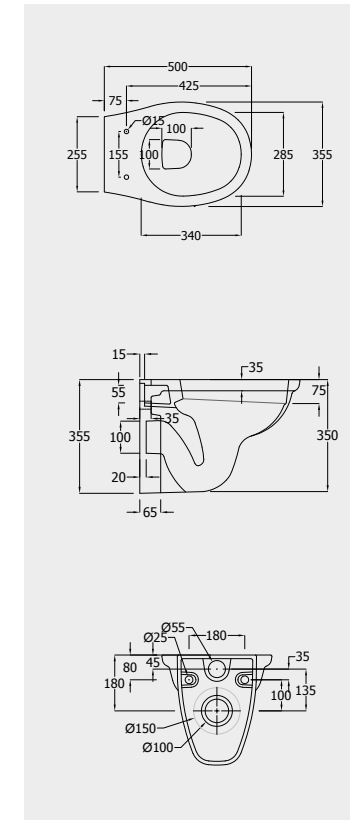


PLUTO
Water Closet
Standard PP SC
PP Soft close SC
500X360X355

GLORIA
Water Closet
Universal P. P. Plain SC
555X355X350

KARLA
Water Closet
Karla P. P. Plain SC
550X370X370

ORCHID
Water Closet
Karla P. P. Plain SC
550X360X365



Notes

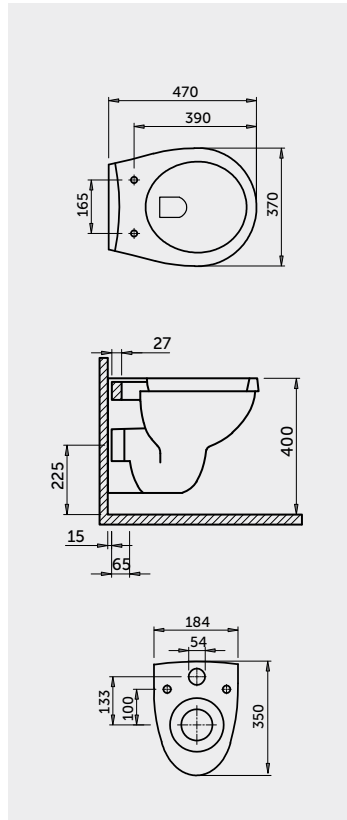
All dimensions in mm tolerance +5% for below 200mm and +3% for above 200mm | Colours shown here are as close to actual sanitaryware as printing process will allow

Models



FLORA
Water Closet
Standard P. P. Plain Seat Cover
470X370X350

Measurements



Notes

All dimensions in mm tolerance +5% for below 200mm and +3% for above 200mm | Colours shown here are as close to actual sanitaryware as printing process will allow



VENICE

Water Closet
Venice PP Soft close SC
570X350X350

Notes


All dimensions in mm tolerance +5% for below 200mm and +3% for above 200mm | Colours shown here are as close to actual sanitaryware as printing process will allow



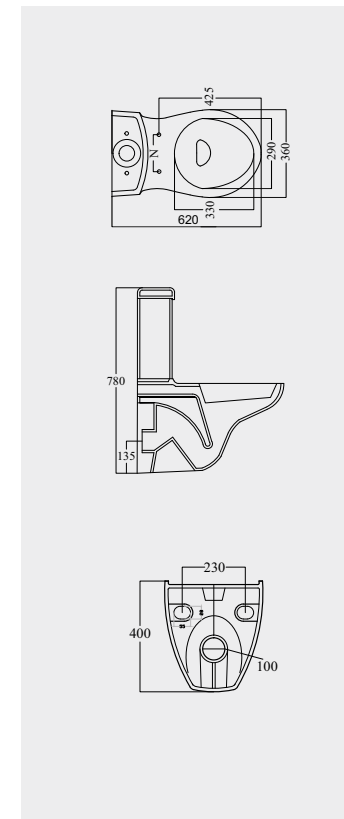
AMAZON | Ext. Wall Hung 620X360X400

Models



 **AMAZON**
 Water Closet
 Cistern with Flush
 Amazon P. P. Plain SC
 620X360X400

Measurements



Notes

All dimensions in mm tolerance +5% for below 200mm and +3% for above 200mm | Colours shown here are as close to actual sanitaryware as printing process will allow



AUREX DLX
Table Top W. B.
640X445X115

Notes

All dimensions in mm tolerance +5% for below 200mm and +3% for above 200mm | Colours shown here are as close to actual sanitaryware as printing process will allow

Models



OTTO
Table Top W. B.
705X390X130



STELLA
Table Top W. B.
510X395X150

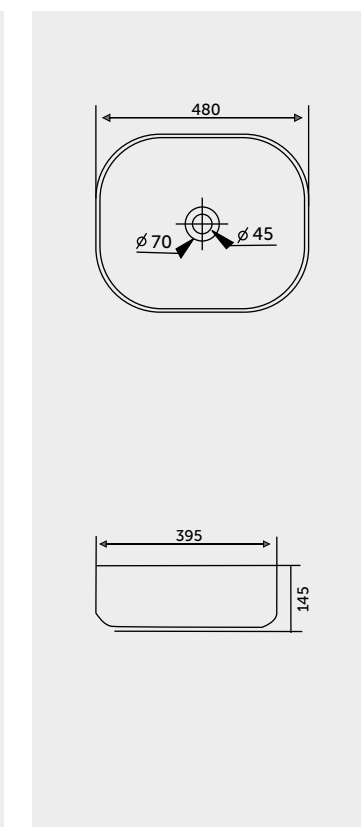
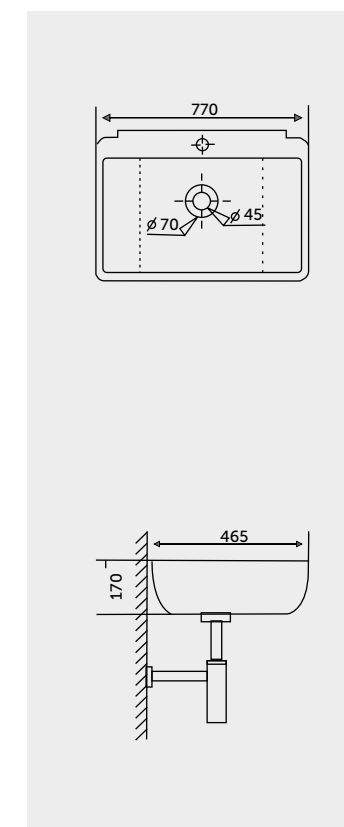
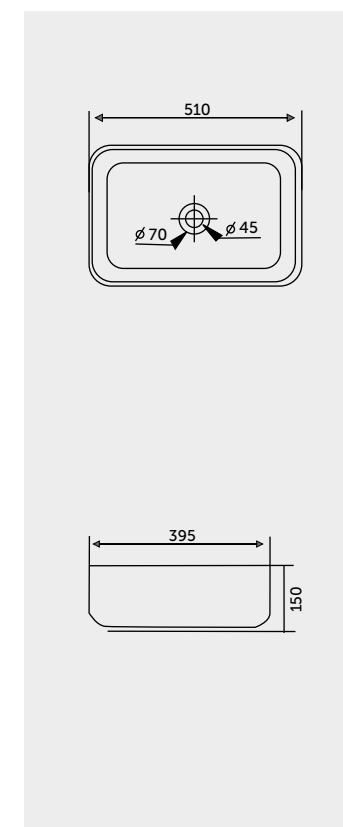
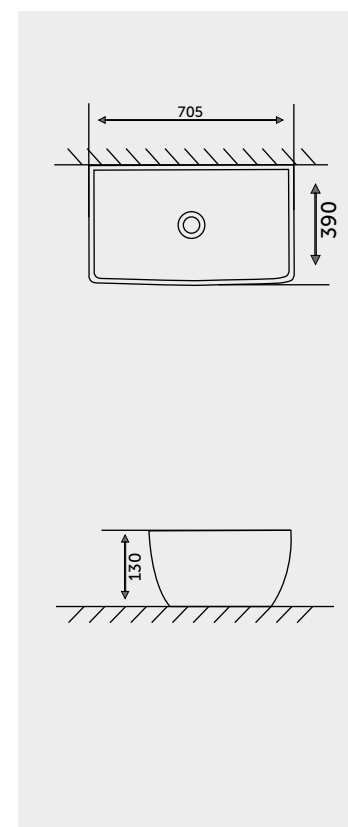


SNOWBELL
Table Top W. B.
770X465X170



ECHO
Table Top W. B.
480X395X145

Measurements



Notes

All dimensions in mm tolerance +5% for below 200mm and +3% for above 200mm | Colours shown here are as close to actual sanitaryware as printing process will allow

Models



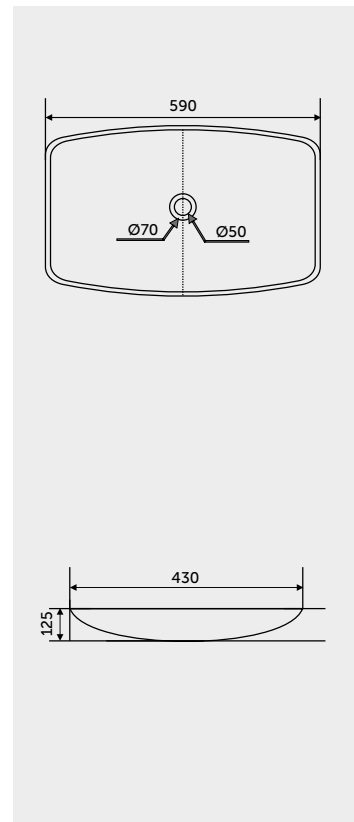
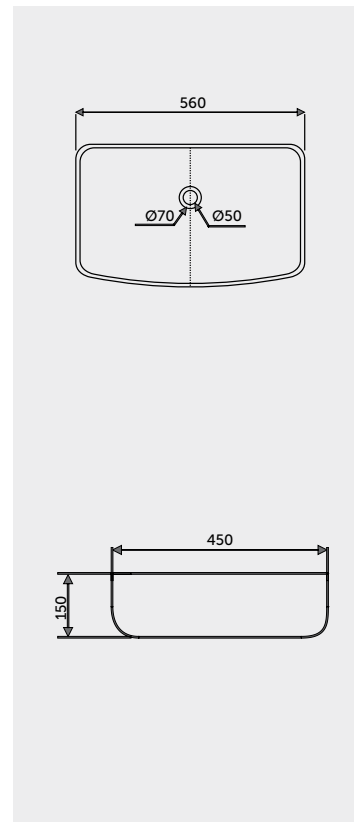
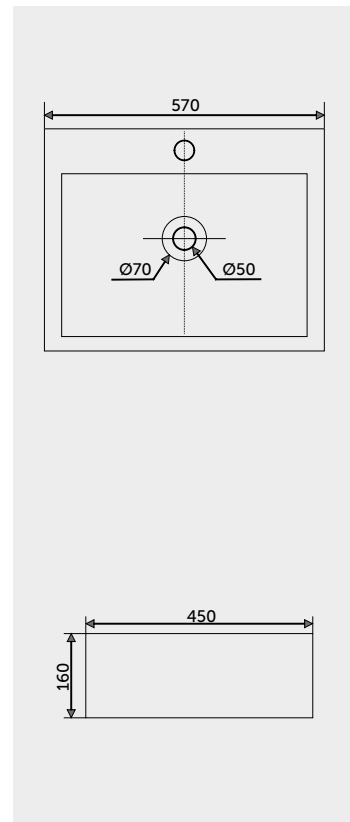
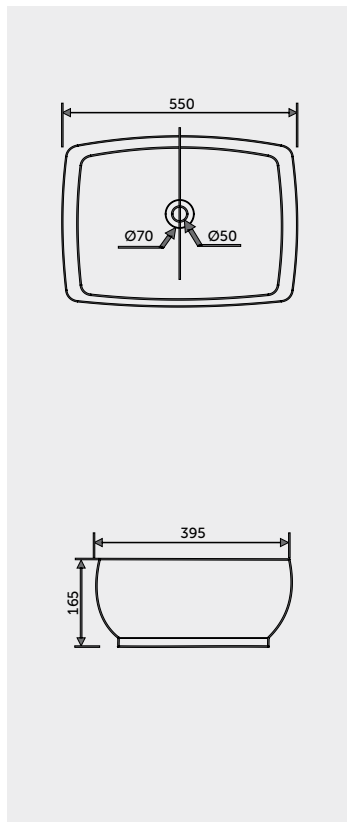
AGATA
Table Top W. B.
550X395X165

CUBIC
Table Top W. B.
570X450X160

LAGOON
Table Top W. B.
560X450X150

TULIP
Table Top W. B.
590X430X125

Measurements



Notes

All dimensions in mm tolerance +5% for below 200mm and +3% for above 200mm | Colours shown here are as close to actual sanitaryware as printing process will allow

Models



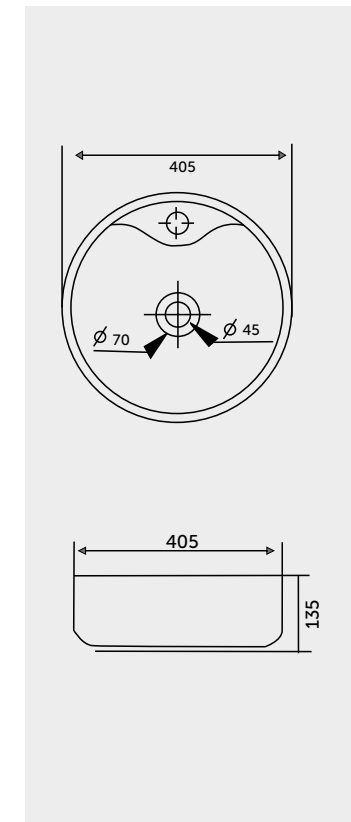
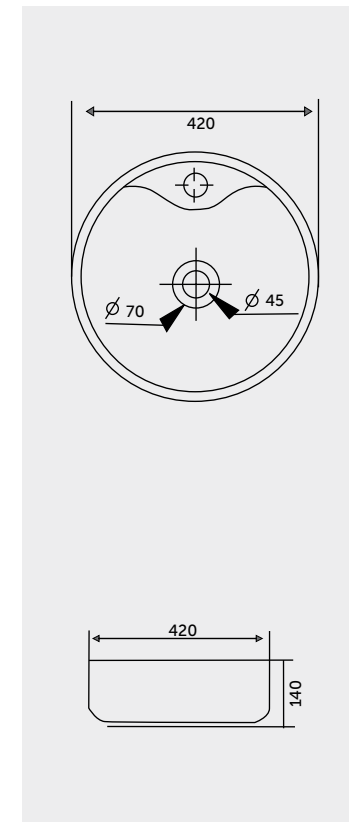
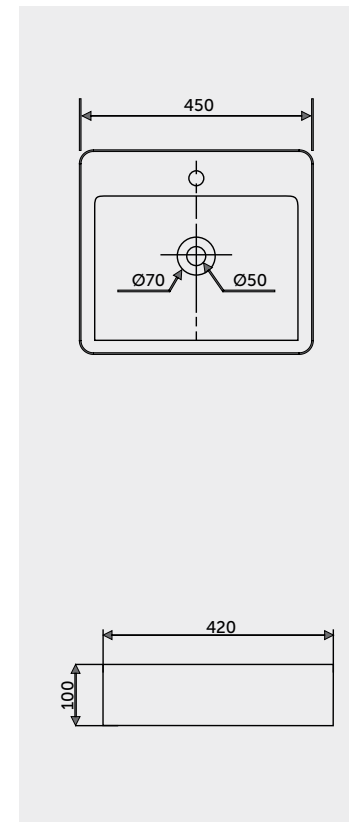
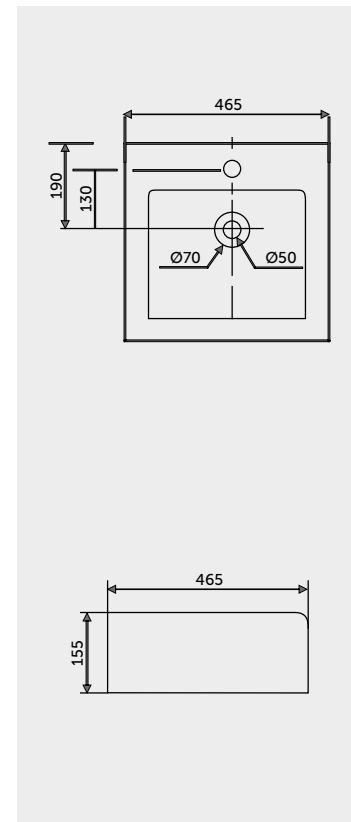
EVA
Table Top W. B.
465X465X155

ELDA
Table Top W. B.
450X420X100

LIYA
Thin Rim Basin
420X420X140

PRIMO
Thin Rim Basin
405X405X135

Measurements



Models



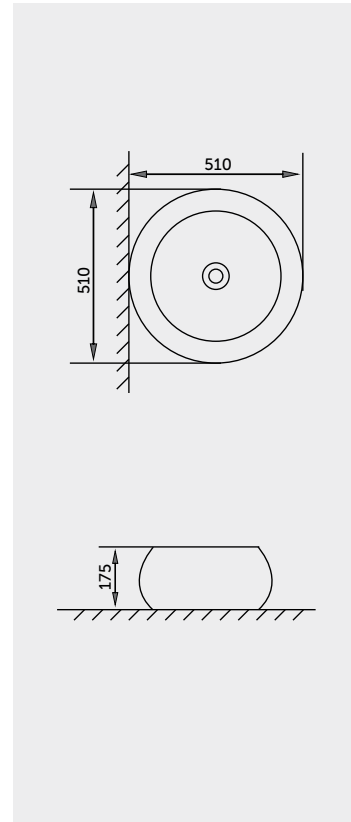
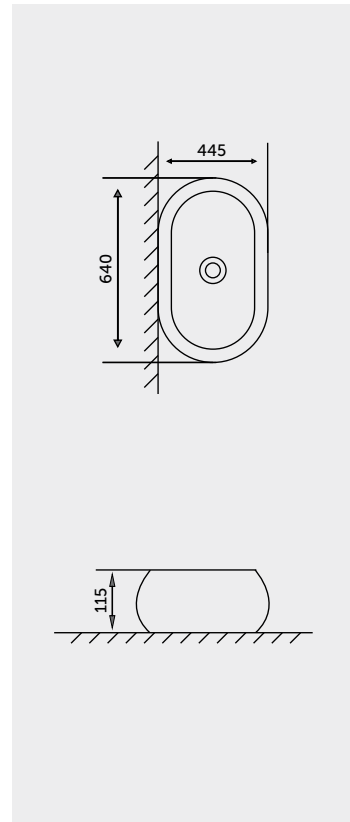
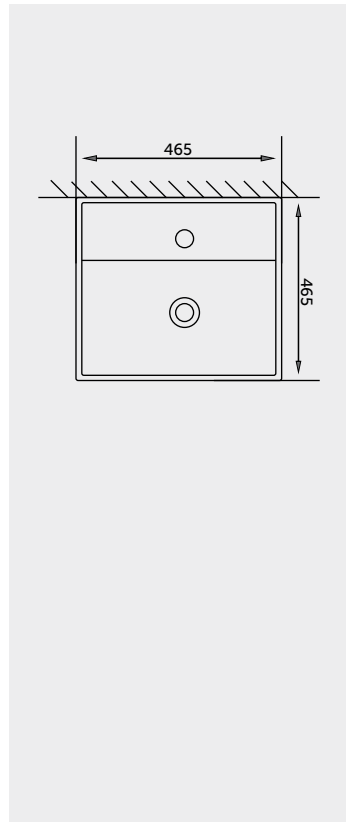
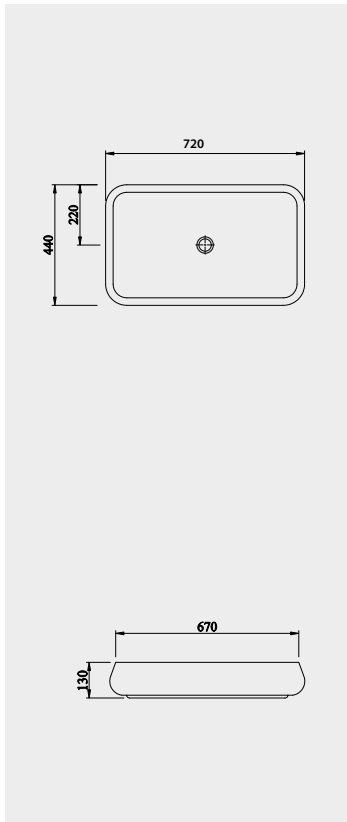
POND
Table Top W. B.
720X440X130

ALLURA
Table Top W. B.
465X465X165

AUREX DLX
Table Top W. B.
640X445X115

AMARIS
Table Top W. B.
510X510X175

Measurements



Notes

All dimensions in mm tolerance +5% for below 200mm and +3% for above 200mm | Colours shown here are as close to actual sanitaryware as printing process will allow

Models



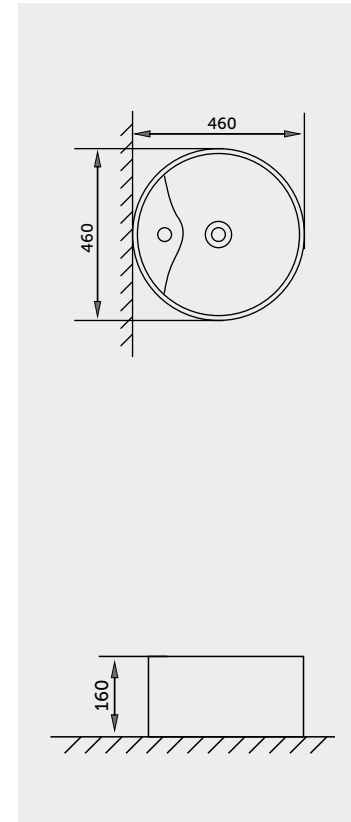
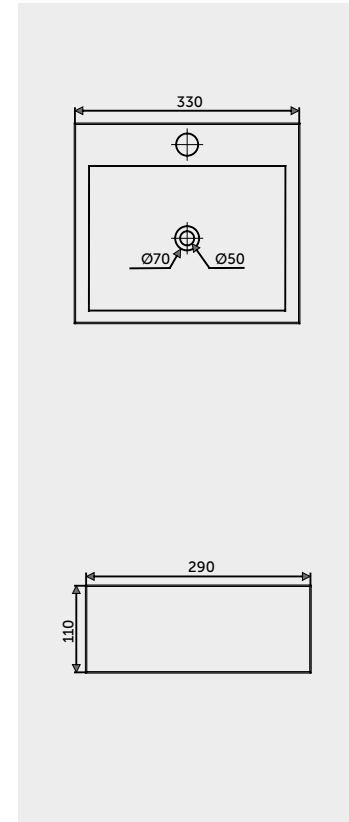
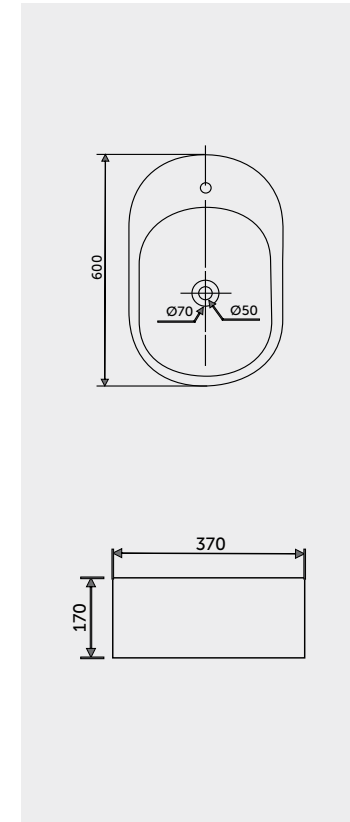
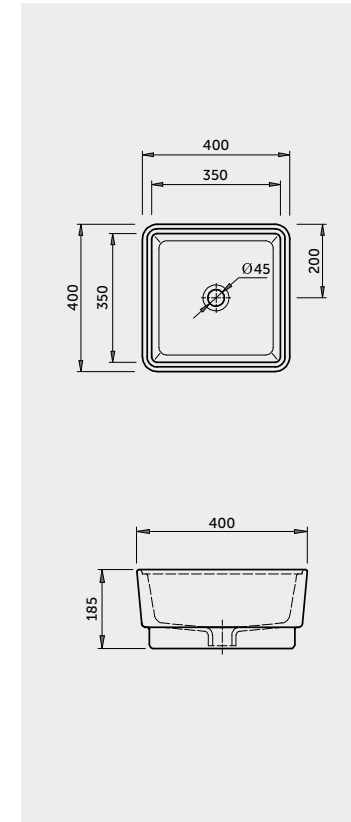
KIDO
Table Top W. B.
400X400X185

BRUNA
Table Top W. B.
600X370X170

MINI
Table Top W. B.
330X290X110

ALBA
Table Top W. B.
460X460X160

Measurements



Notes

All dimensions in mm tolerance +5% for below 200mm and +3% for above 200mm | Colours shown here are as close to actual sanitaryware as printing process will allow

Models



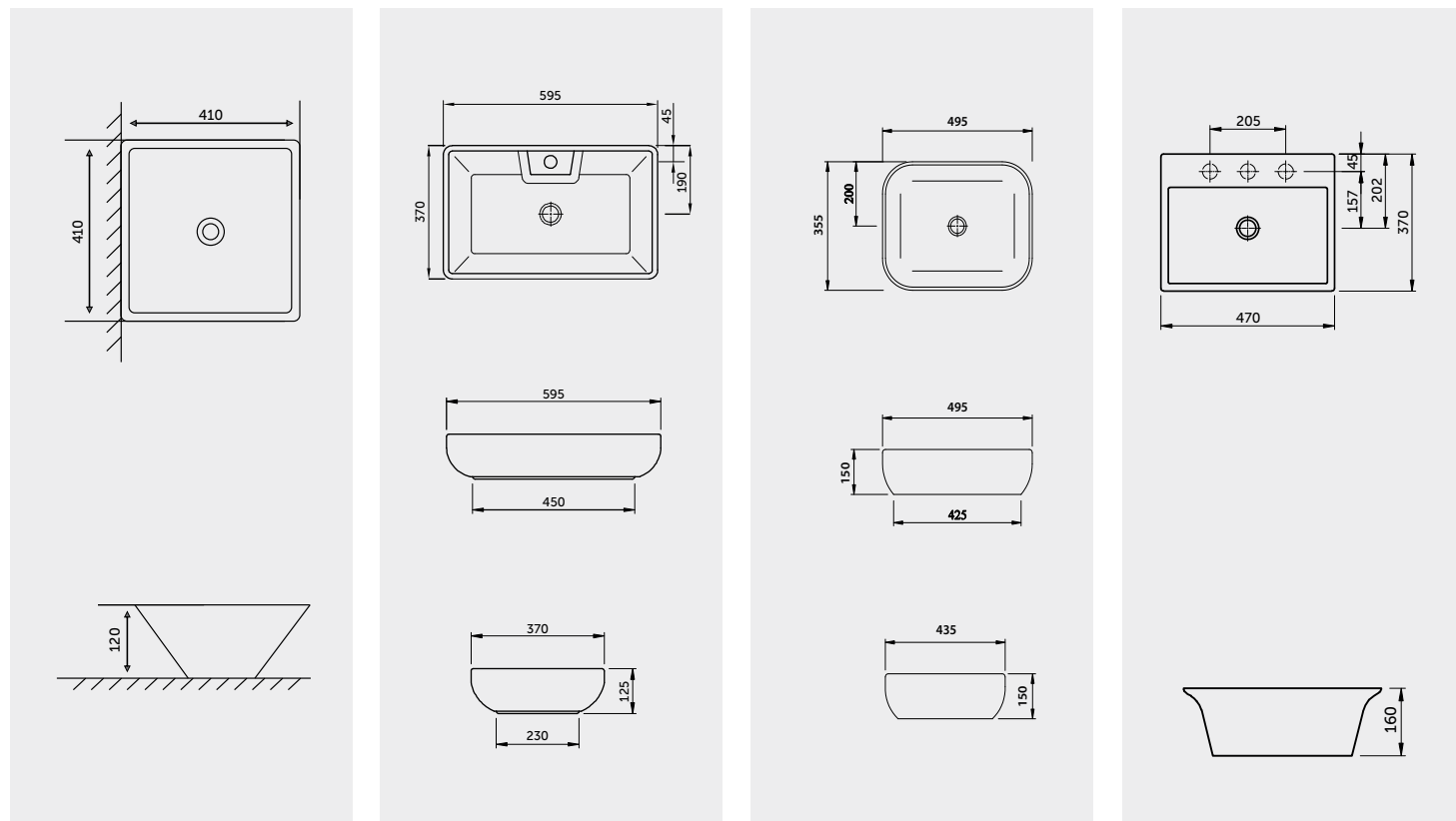
ARNO
Table Top W. B.
410X410X120

RECTA
Table Top W. B.
595X370X125

CRYSTAL
Table Top W. B.
495X355X150

LEA
Table Top W. B.
470X370X160

Measurements



Notes

All dimensions in mm tolerance +5% for below 200mm and +3% for above 200mm | Colours shown here are as close to actual sanitaryware as printing process will allow



BLISS MINI WITH TAP HOLE
Table Top W. B.
410X310X120

Notes

All dimensions in mm tolerance +5% for below 200mm and +3% for above 200mm | Colours shown here are as close to actual sanitaryware as printing process will allow

Models



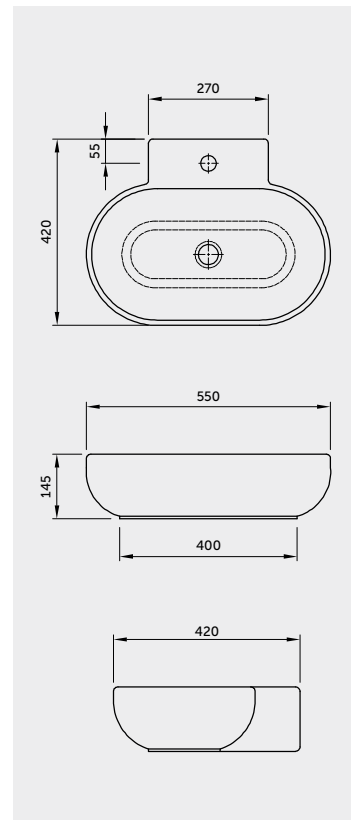
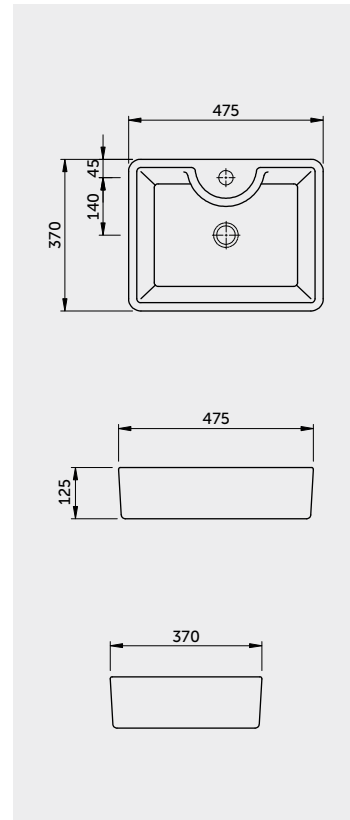
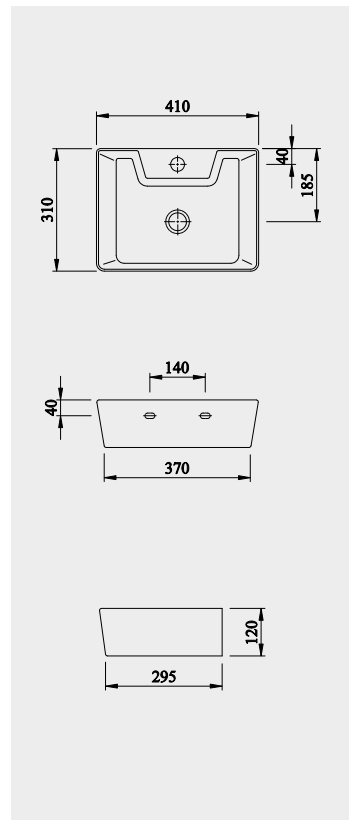
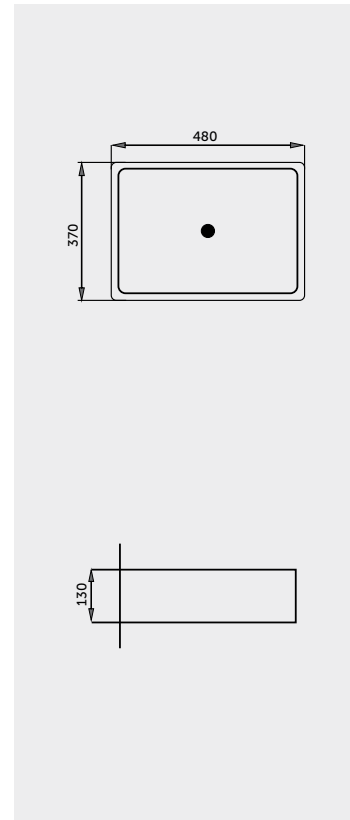
BLISS
Table Top W. B.
480X370X130

BLISS MINI WITH TAP HOLE
Table Top W. B.
410X310X120

BLISS WITH TAP HOLE
Table Top W. B.
475X370X125

KARLA
Table Top W. B.
550X420X145

Measurements



Notes

All dimensions in mm tolerance +5% for below 200mm and +3% for above 200mm | Colours shown here are as close to actual sanitaryware as printing process will allow

Models



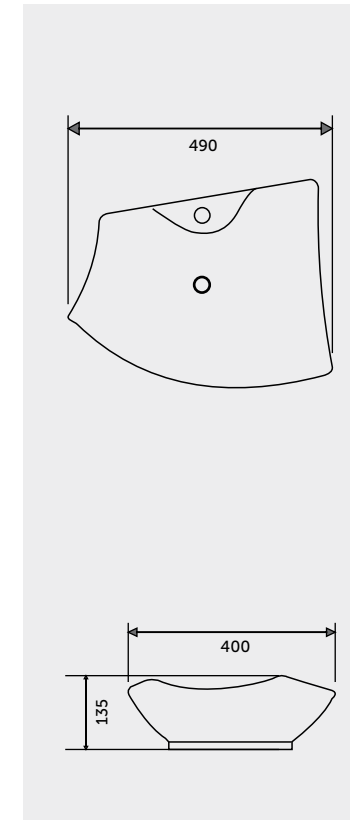
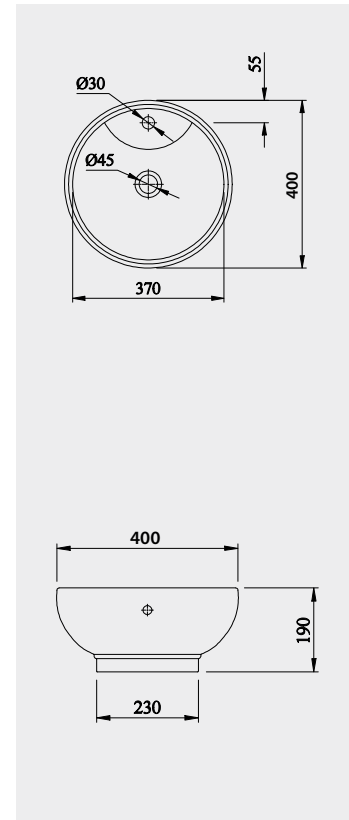
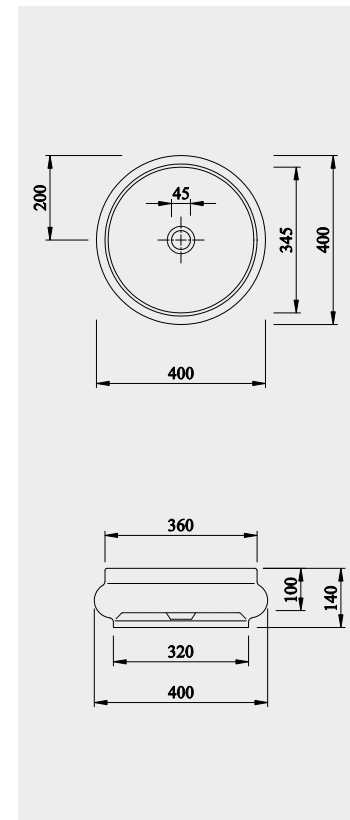
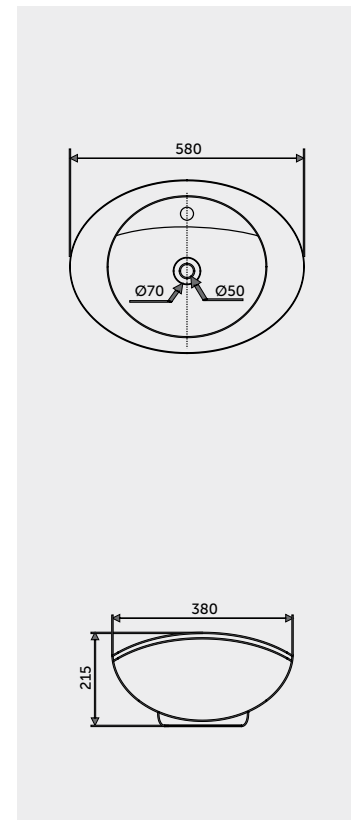
RHINE
Table Top W. B.
580X380X215

LEGEND
Table Top W. B.
400X400X140

SONIC
Table Top W. B.
400X400X190

OPAL
Table Top W. B.
490X400X135

Measurements



Notes

All dimensions in mm tolerance +5% for below 200mm and +3% for above 200mm | Colours shown here are as close to actual sanitaryware as printing process will allow

Models



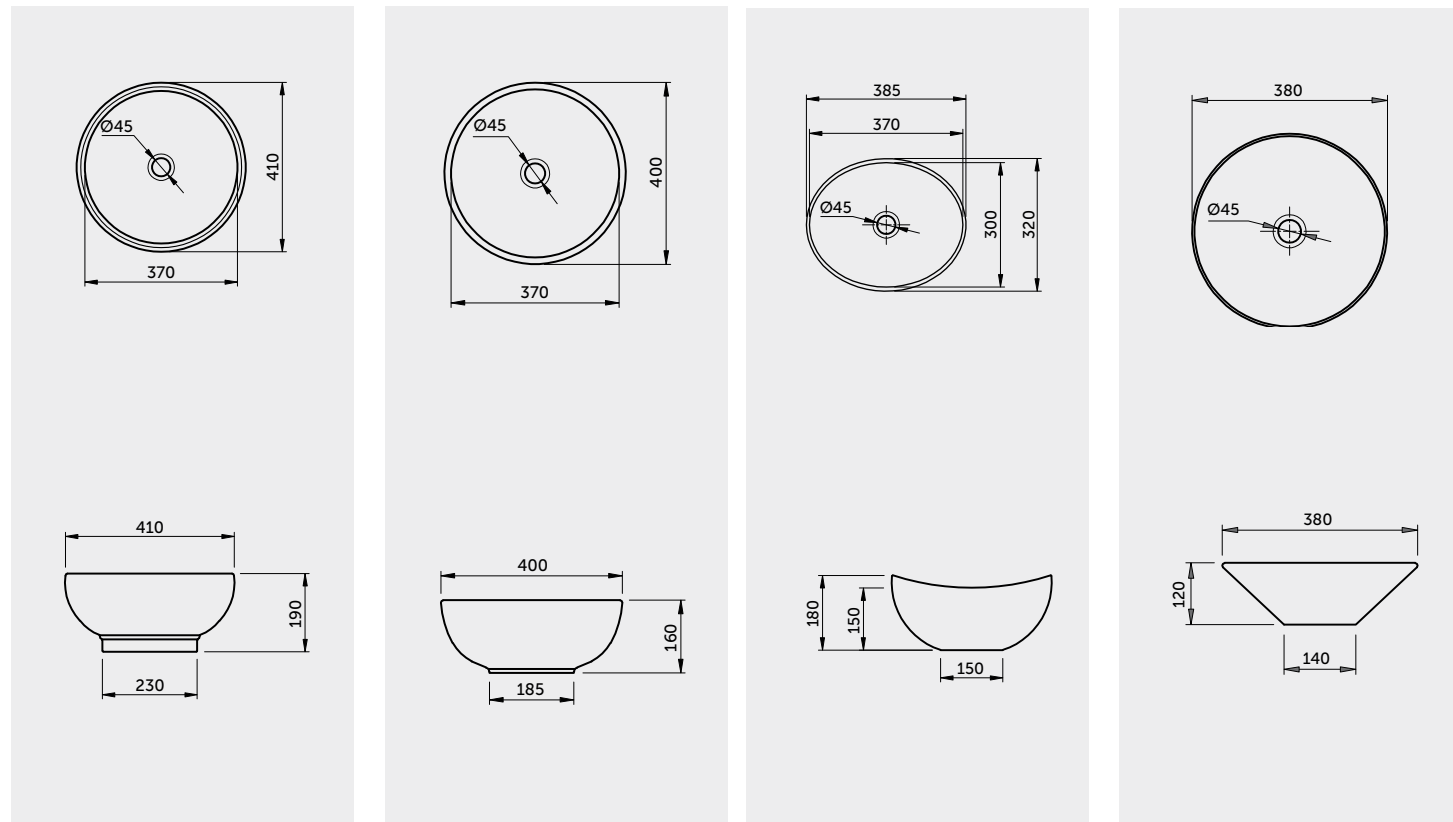
SUN
Bowl
410X410X190

SHINE
Bowl
400X400X160

SHELL
Bowl
385X320X180

SEINE
Bowl
380X380X120

Measurements



Notes

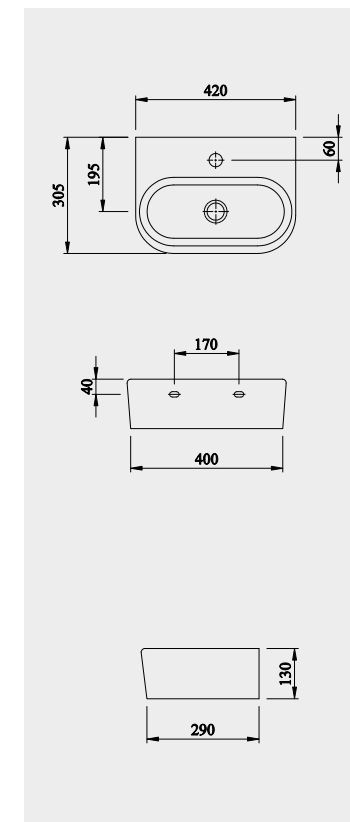
All dimensions in mm tolerance +5% for below 200mm and +3% for above 200mm | Colours shown here are as close to actual sanitaryware as printing process will allow

Models



ORCHID WITH TAP HOLE
Table Top W. B.
420X305X130

Measurements



ELDA
Table Top W. B.
450X420X100


Notes

All dimensions in mm tolerance +5% for below 200mm and +3% for above 200mm | Colours shown here are as close to actual sanitaryware as printing process will allow




Models



 CURVE DLX OVAL
With Click Clack
600X405X130

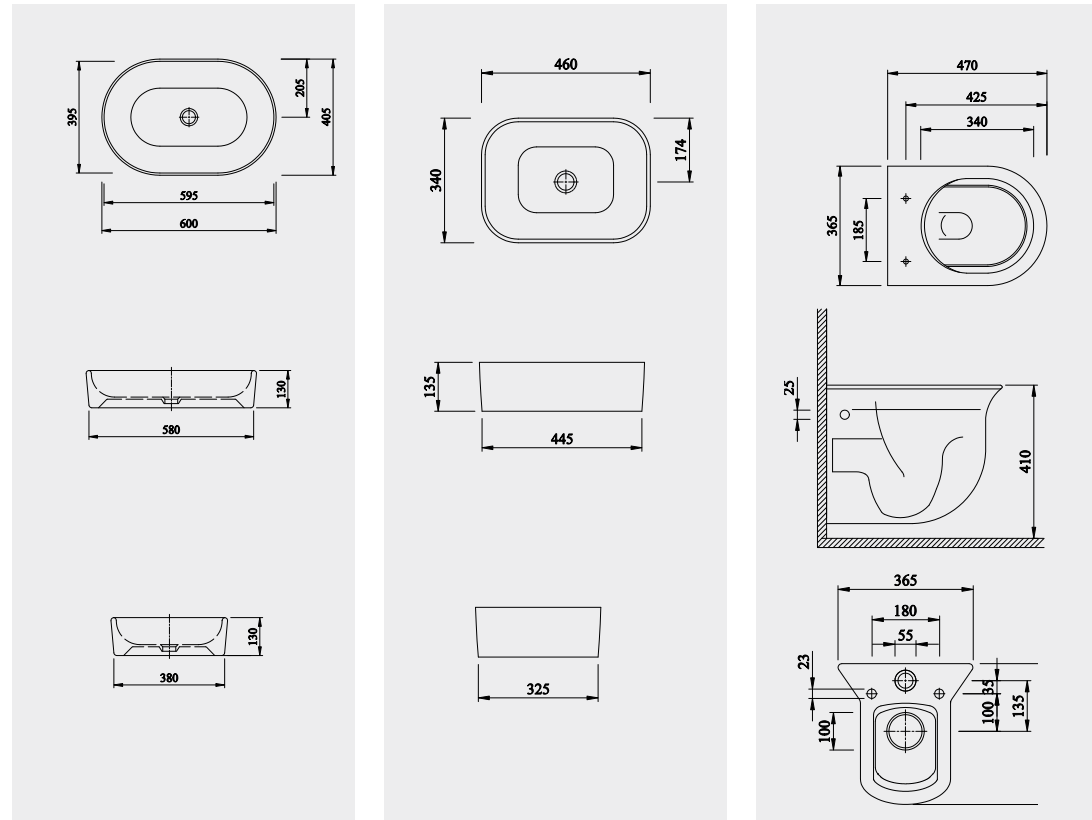


 Curve Rectangle
With Click Clack
460X340X135



  Curve Matt Black
Water Closet
Urea Soft Close SC
470X365X370

Measurements



  Curve Matt Black



Models

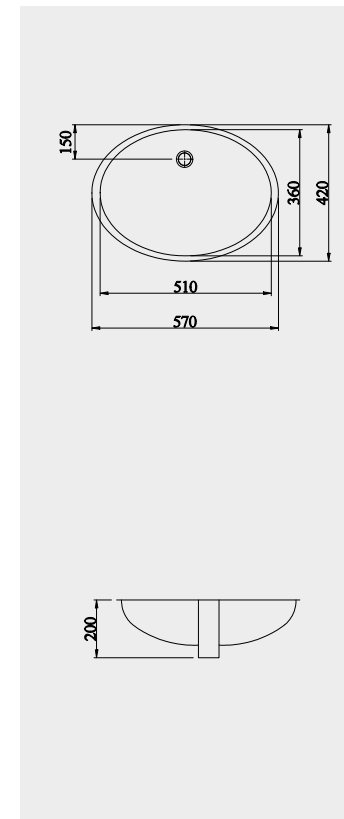
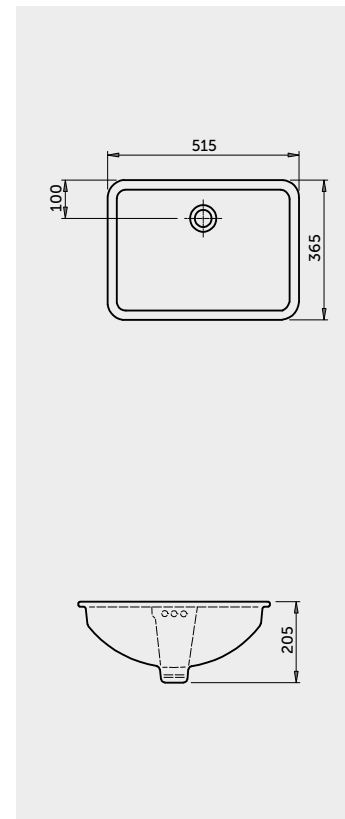


CLEO
Under Counter
515 X 365 X 205

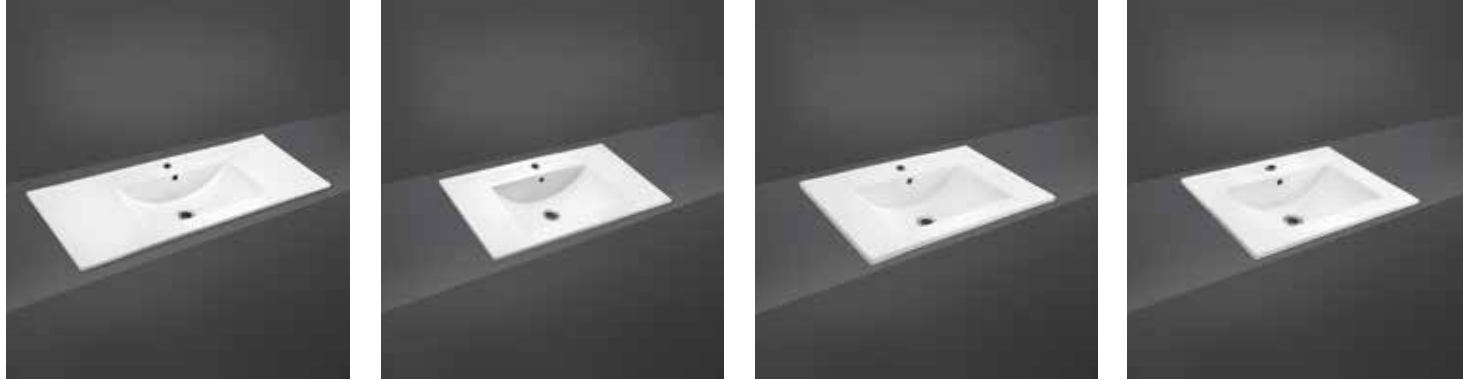


ROSA
Under Counter
570 X 420 X 200
500 X 410 X 195

Measurements



Models



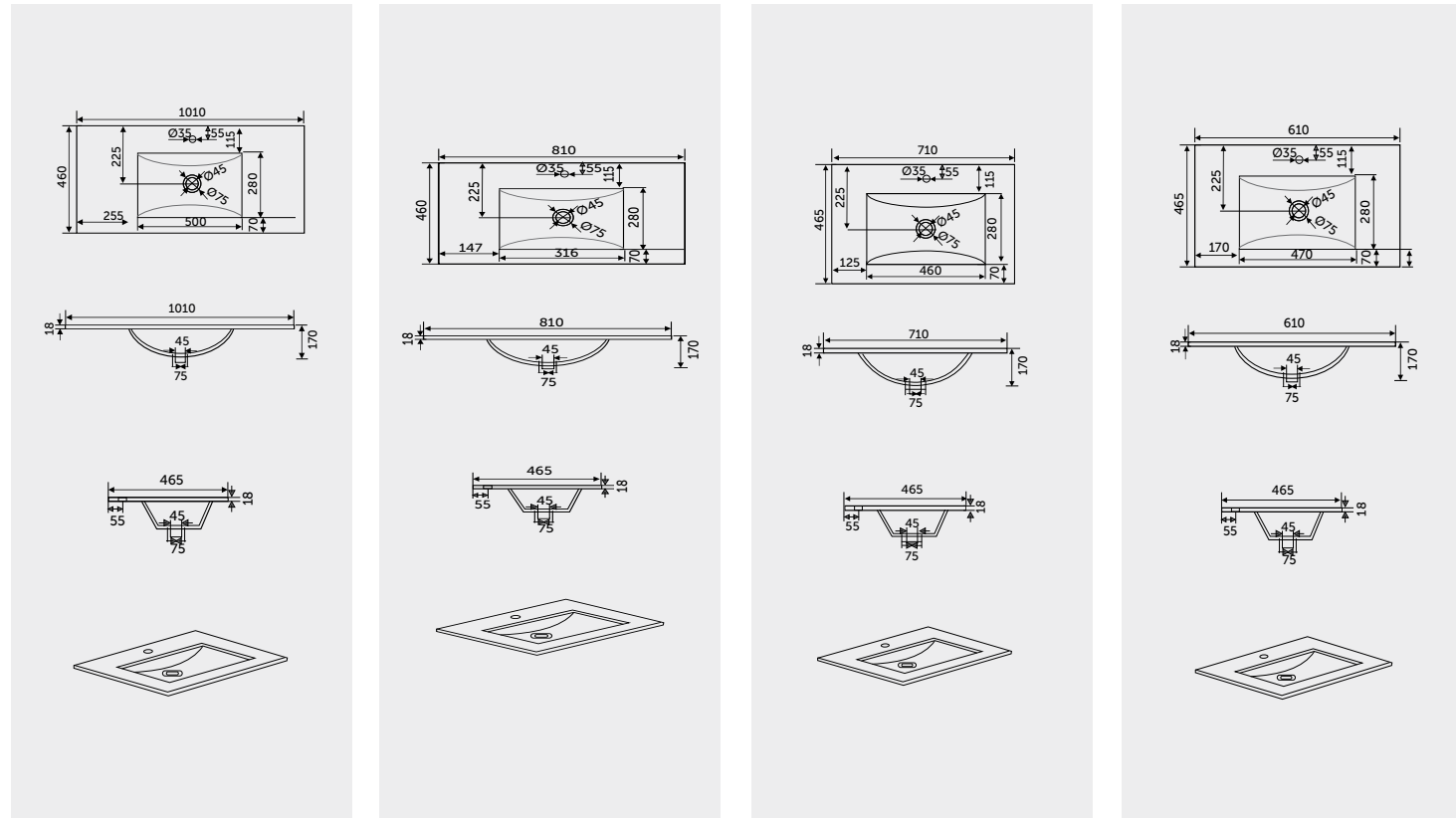
LAVA
Cabinet Basin
1010X460X170

LAVA
Cabinet Basin
810X460X170

LAVA
Cabinet Basin
710X465X170

LAVA
Cabinet Basin
610X465X170

Measurements



Notes

All dimensions in mm tolerance +5% for below 200mm and +3% for above 200mm | Colours shown here are as close to actual sanitaryware as printing process will allow

Models



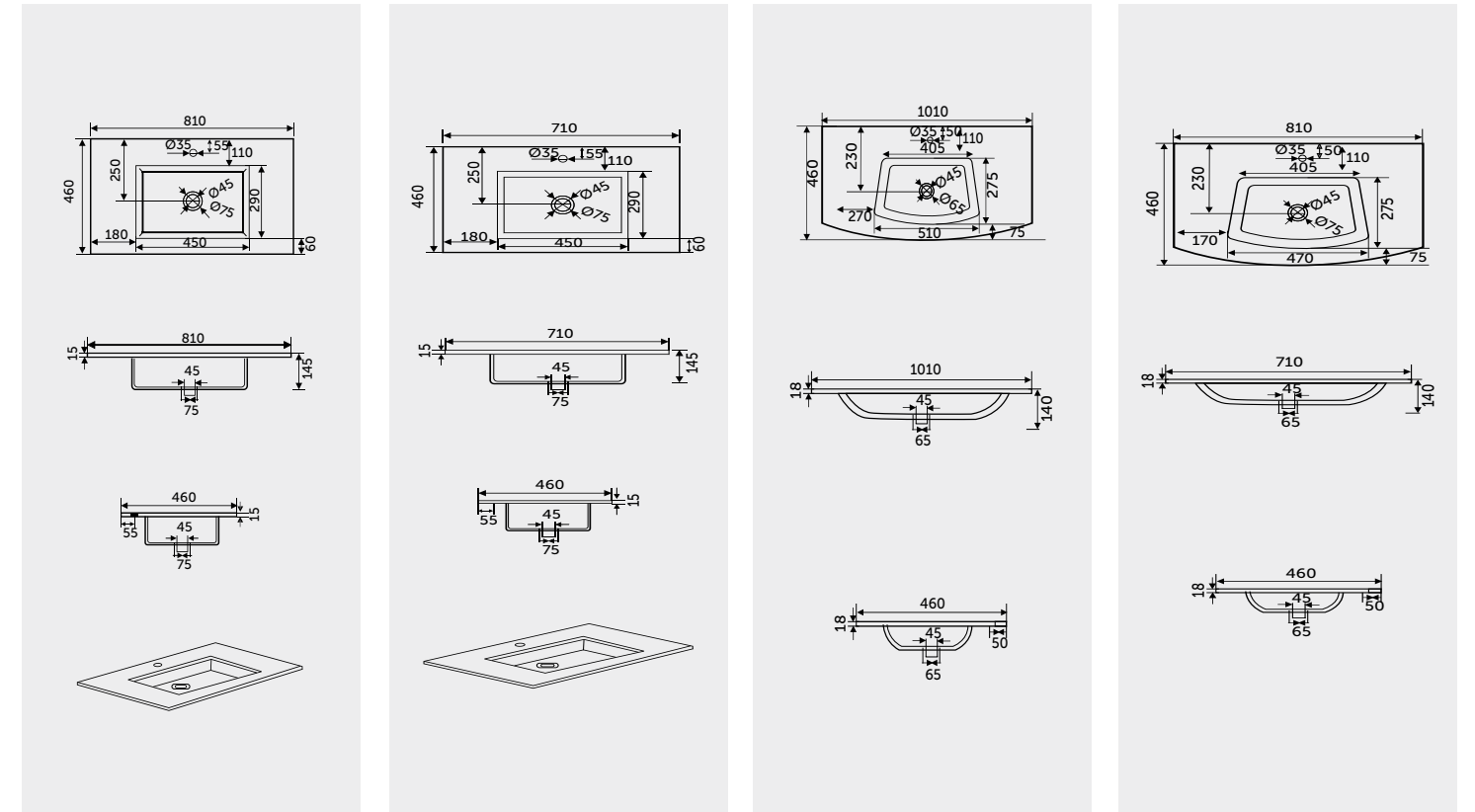
SPIRIT
Cabinet Basin
810X460X145

SPIRIT
Cabinet Basin
710X460X145

CRYSTAL
Cabinet Basin
1010X460X140

CRYSTAL
Cabinet Basin
810X460X140

Measurements



Notes

All dimensions in mm tolerance +5% for below 200mm and +3% for above 200mm | Colours shown here are as close to actual sanitaryware as printing process will allow

Models



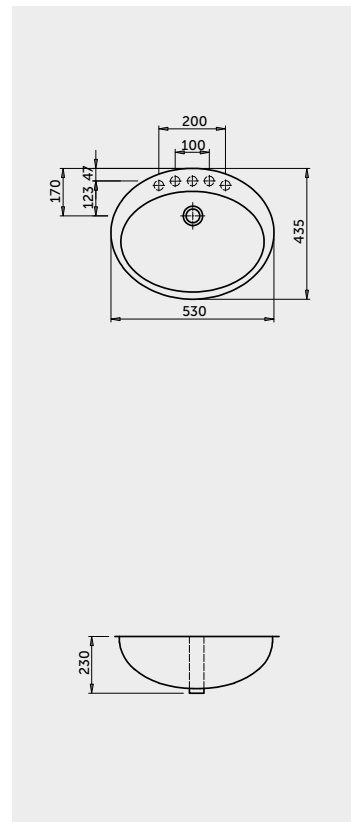
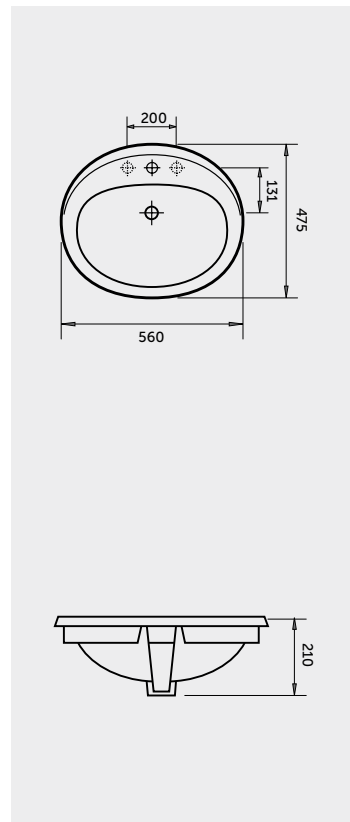
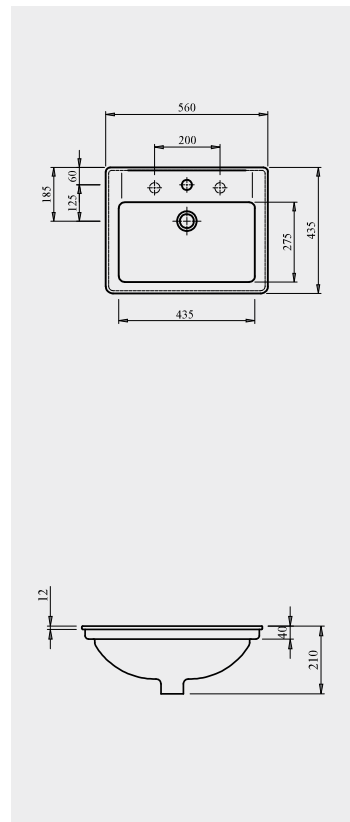
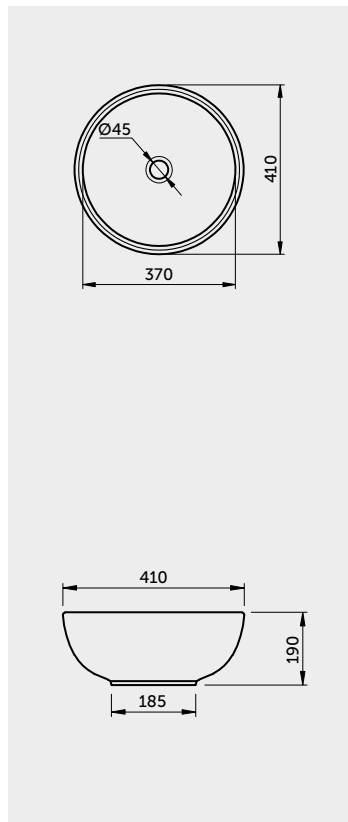
MOON
Counter Top
410X410X190

GEM
Over Counter
560X435X210

MIRA
Over Counter
560X475X210

JESSICA
Over Counter
530X435X230

Measurements



Notes

All dimensions in mm tolerance +5% for below 200mm and +3% for above 200mm | Colours shown here are as close to actual sanitaryware as printing process will allow

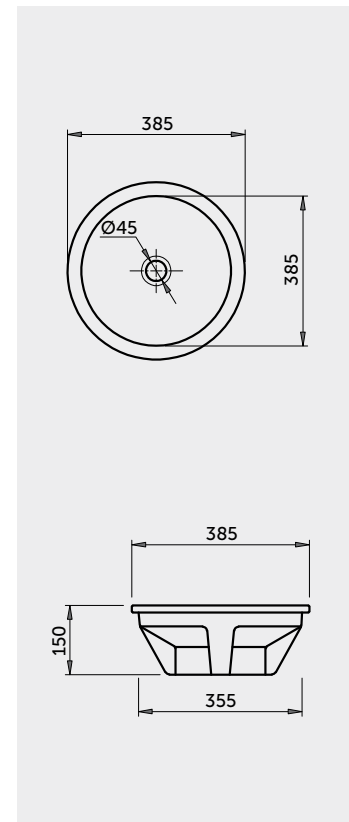
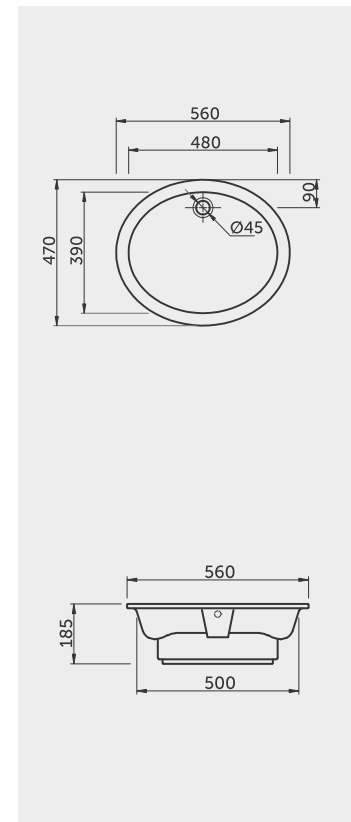
Models



ORCHID OVAL
Oval Over Counter
560X470X185

ORCHID ROUND
Round 15" DIA
385X385X150

Measurements



Notes

All dimensions in mm tolerance +5% for below 200mm and +3% for above 200mm | Colours shown here are as close to actual sanitaryware as printing process will allow



GEM
Integrated
Rectangle
440X440X340

Notes

All dimensions in mm tolerance +5% for below 200mm and +3% for above 200mm | Colours shown here are as close to actual sanitaryware as printing process will allow

Models



GEM
Integrated
Curve
470X430X360

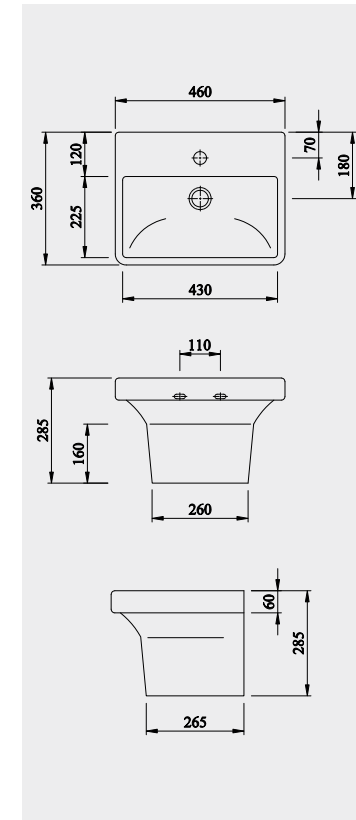
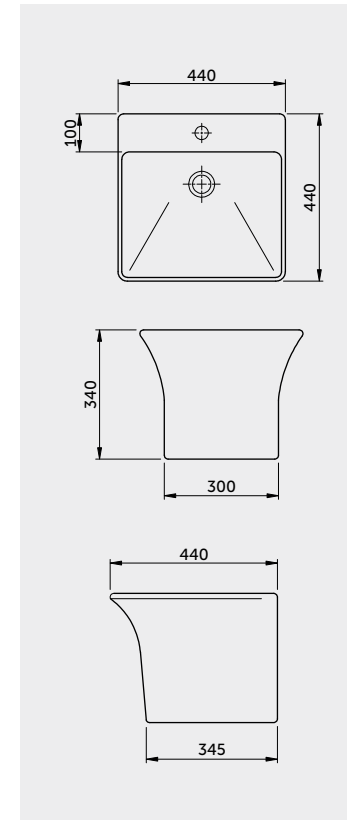
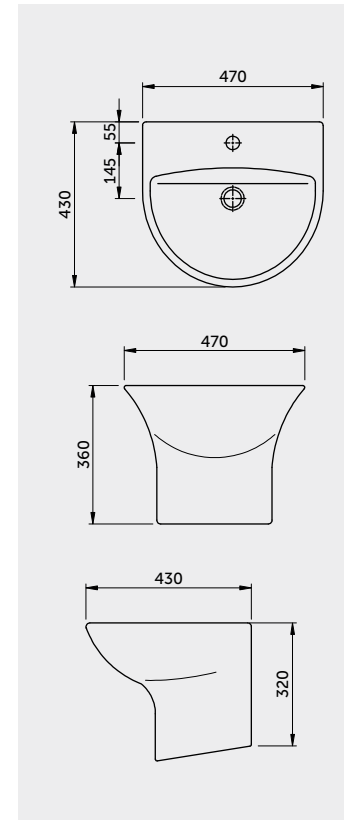


GEM
Integrated
Rectangle
440X440X340



BLISS
Integrated
Half Pedestal Basin
460X360X285

Measurements



Notes

All dimensions in mm tolerance +5% for below 200mm and +3% for above 200mm | Colours shown here are as close to actual sanitaryware as printing process will allow

Models



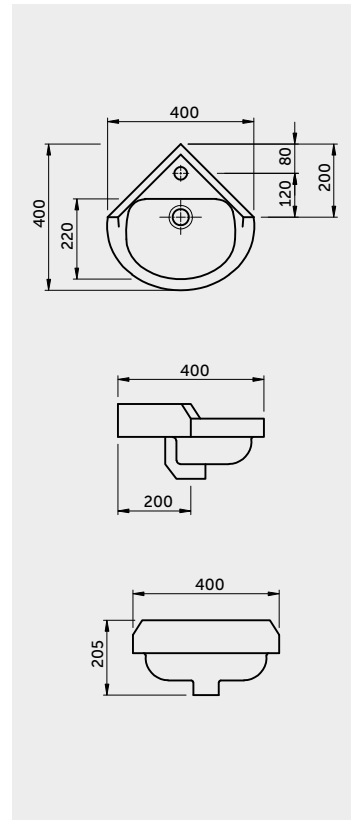
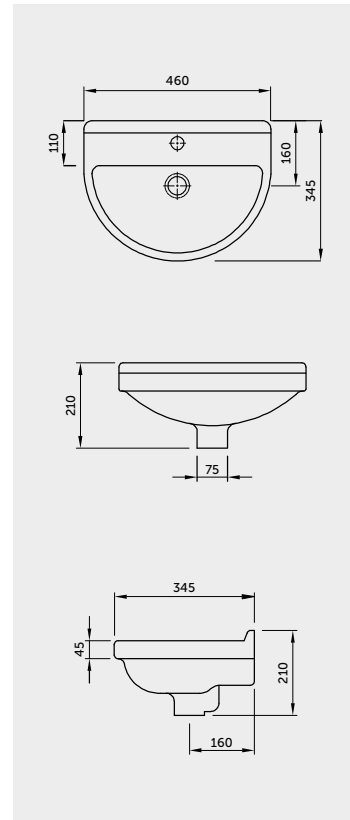
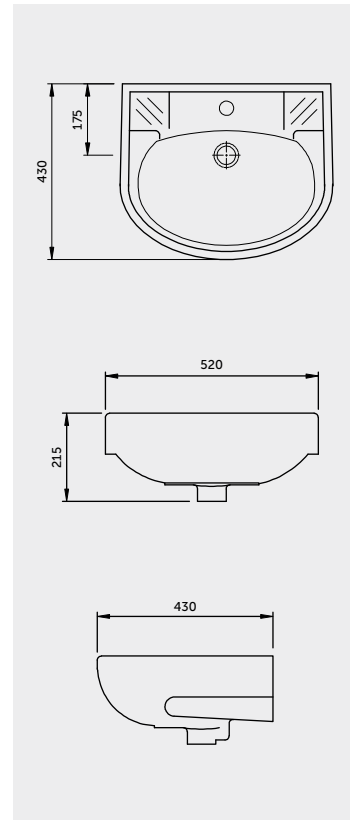
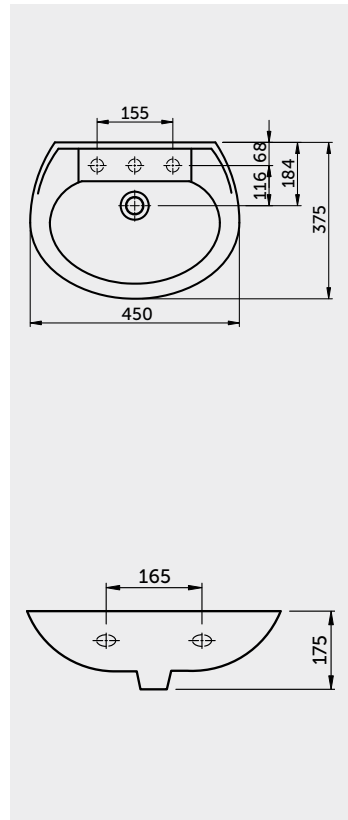
TAMPA
Wash Basin
450X375X175

ORCHID 21" X 17"
Wash Basin
520X430X215

ORCHID 18" x 14"
Wash Basin
460X345X210

CORNER
Wash Basin 16"X16"
400X400X205

Measurements



Notes

All dimensions in mm tolerance +5% for below 200mm and +3% for above 200mm | Colours shown here are as close to actual sanitaryware as printing process will allow

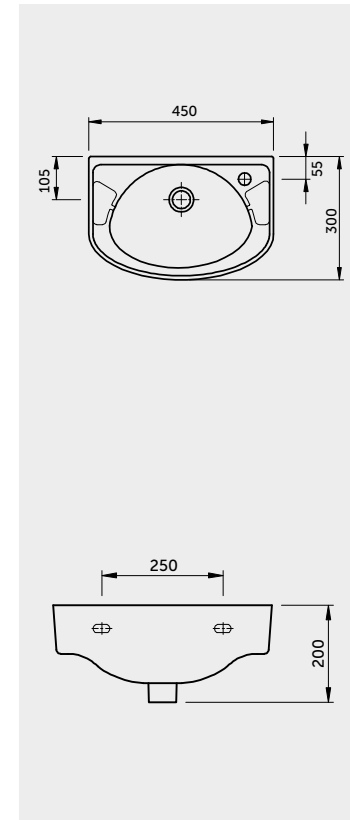
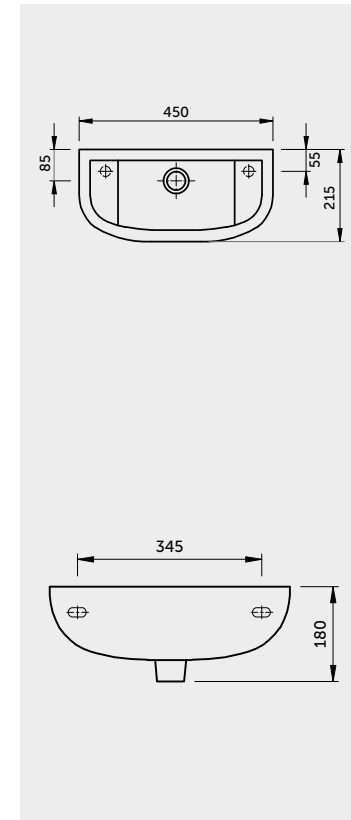
Models



COMPACT SLIM
Wash Basin
450X215X180

FLORA MINI
Wash Basin 18"X12"
450X300X200

Measurements



CORNER
Wash Basin 16"X16"
400 X 400

Notes

All dimensions in mm tolerance +5% for below 200mm and +3% for above 200mm | Colours shown here are as close to actual sanitaryware as printing process will allow

WASH BASINS FULL PEDESTAL



VENICE
Water Closet
Venice PP Soft close SC
570X350X350

CASPAR
Wash Basin
Casper Full Pedestal
560X470

Notes
All dimensions in mm tolerance +5% for below 200mm and +3% for above 200mm | Colours shown here are as close to actual sanitaryware as printing process will allow

WASH BASINS FULL PEDESTAL

Models



MAGNUM
Wash Basin
Liwa Full Pedestal
750X470X200



MISTRAL
Wash Basin
Mistral Full Pedestal
650X485X195

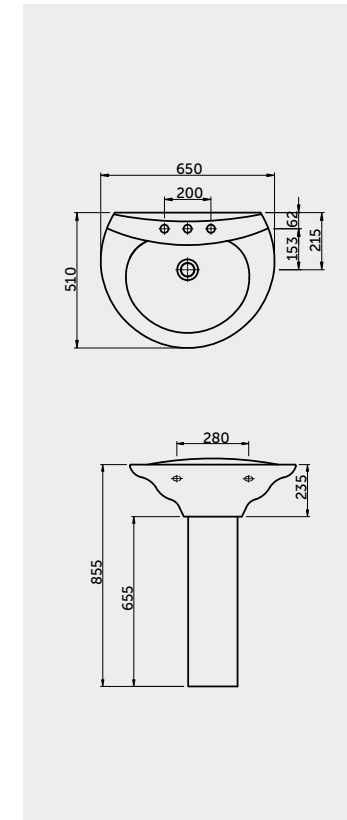
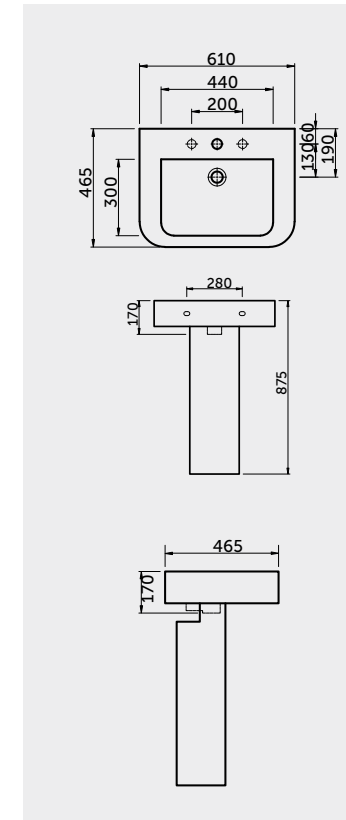
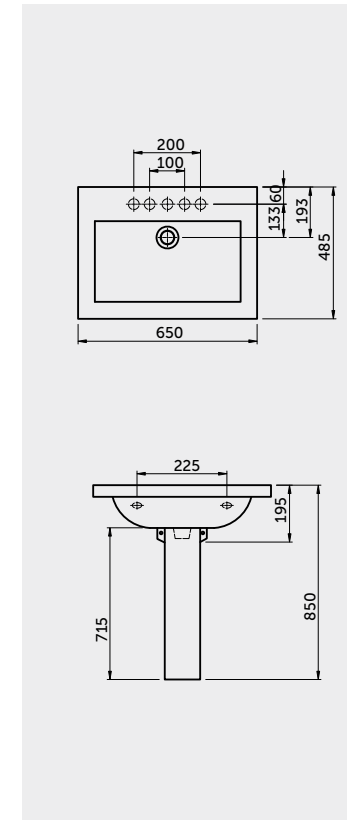
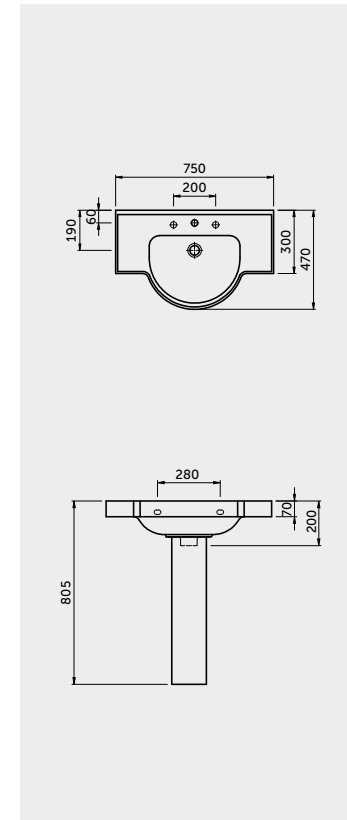


RONDO
Wash Basin
Rondo Full Pedestal
610X465X170



VENICE
Wash Basin
Venice Full Pedestal
650X510X235

Measurements



Notes

All dimensions in mm tolerance +5% for below 200mm and +3% for above 200mm | Colours shown here are as close to actual sanitaryware as printing process will allow

WASH BASINS FULL PEDESTAL

Models



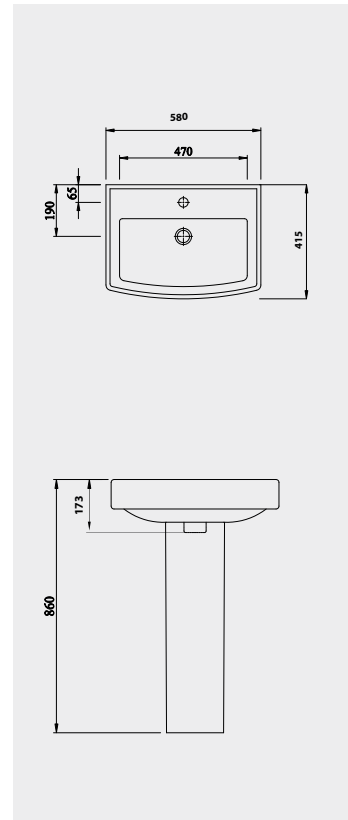
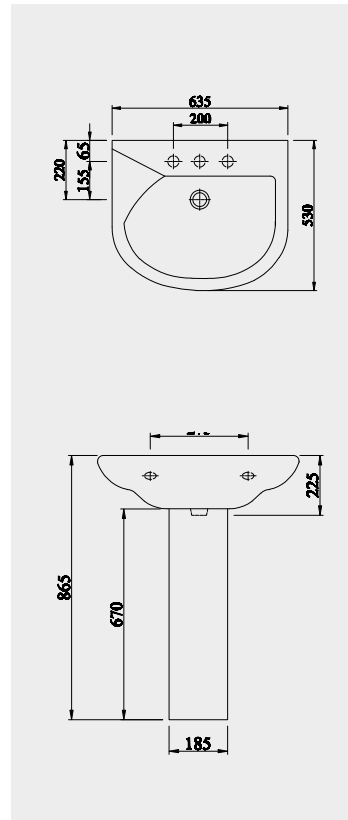
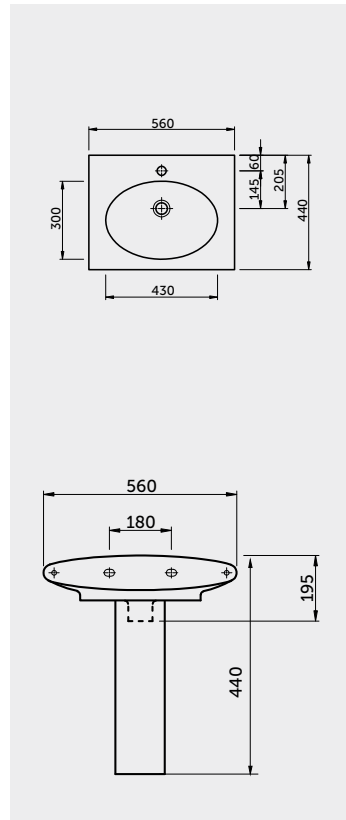
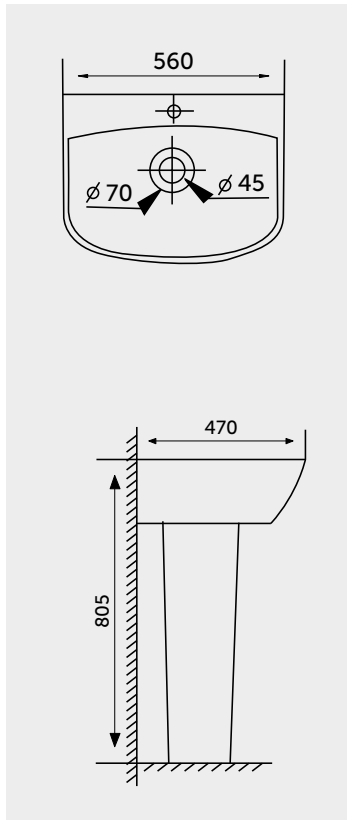
CASPAR
Wash Basin
Casper Full Pedestal
560X470X140

RIVIERA
Wash Basin
Flora Full Pedestal
560X440X195

LIWA
Wash Basin
Liwa Full Pedestal
635X530X225

NEO
Wash Basin
Neo Full Pedestal
580X415X173

Measurements



Notes

All dimensions in mm tolerance +5% for below 200mm and +3% for above 200mm | Colours shown here are as close to actual sanitaryware as printing process will allow

WASH BASINS FULL PEDESTAL

Models



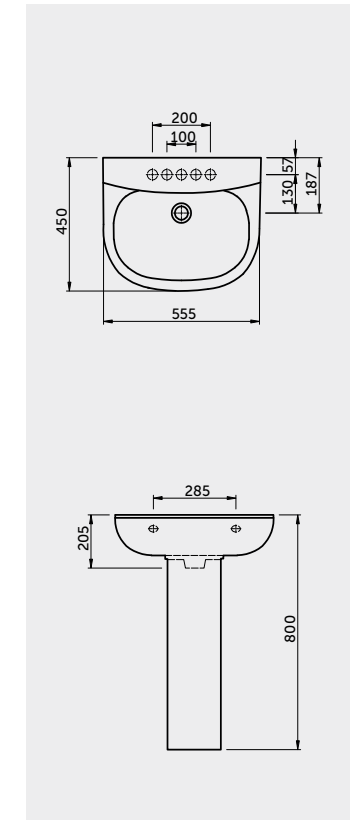
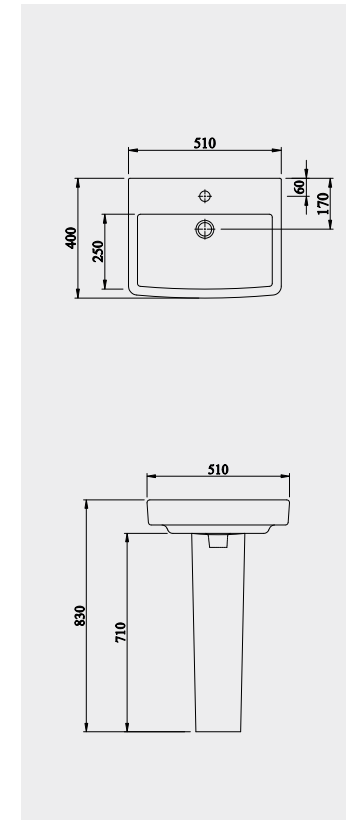
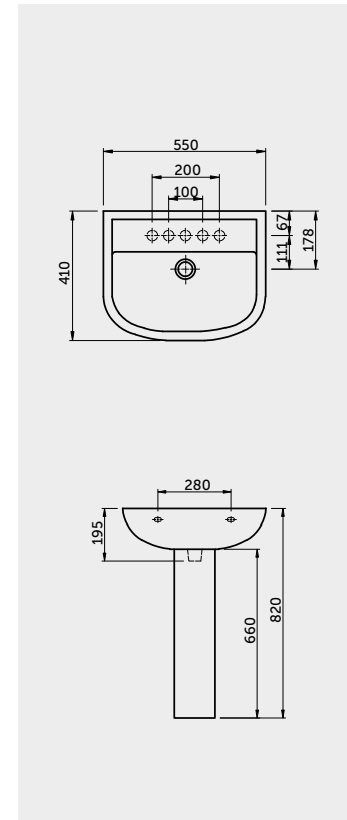
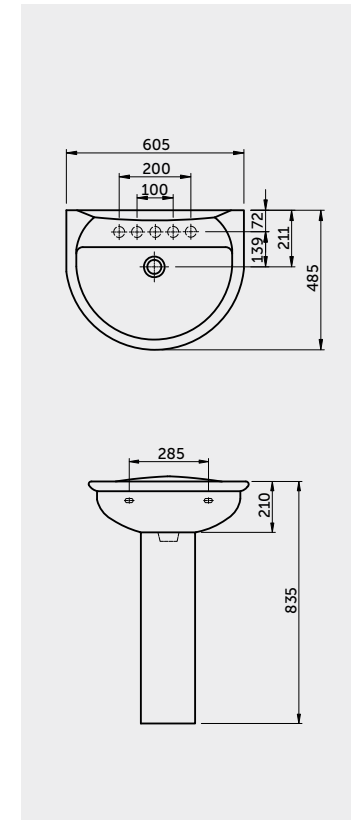
KARLA
Wash Basin
Karla Full Pedestal
605X485X210

COMPACT
Wash Basin
Compact Full Pedestal
550X410X195

CREMA
Wash Basin
Crema Full Pedestal
510X400X120

FLORA 22
Wash Basin 22"X18"
22 Full Pedestal
555X450X205

Measurements



Notes

All dimensions in mm tolerance +5% for below 200mm and +3% for above 200mm | Colours shown here are as close to actual sanitaryware as printing process will allow

WASH BASINS FULL PEDESTAL

Models



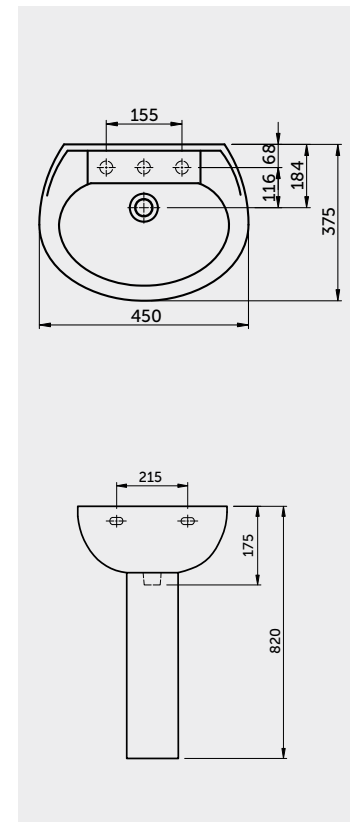
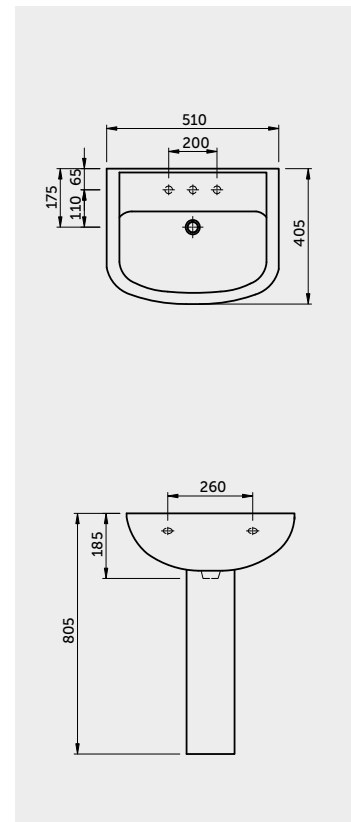
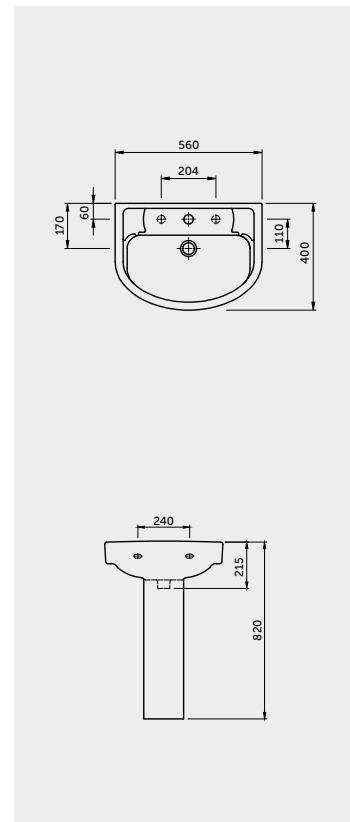
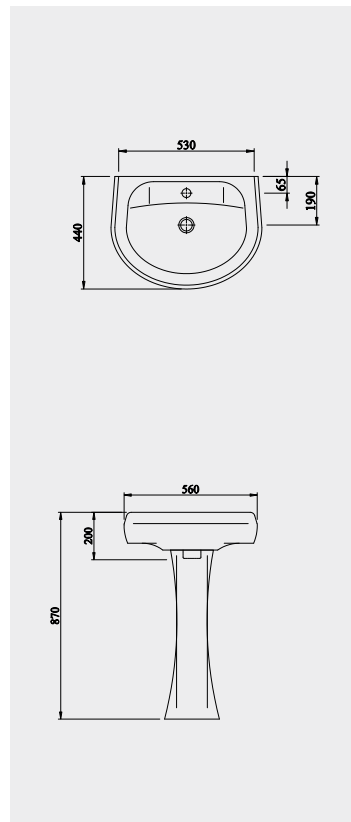
CLASSY
Wash Basin
Classy Full Pedestal
530X440X200

ORCHID
Wash Basin
Flora 20 Full Pedestal
560X400X215

FLORA 20
Wash Basin 20"x16"
Flora 20 Full Pedestal
510X405X185

TAMPA
Wash Basin
Flora 18 Full Pedestal
450X375X175

Measurements



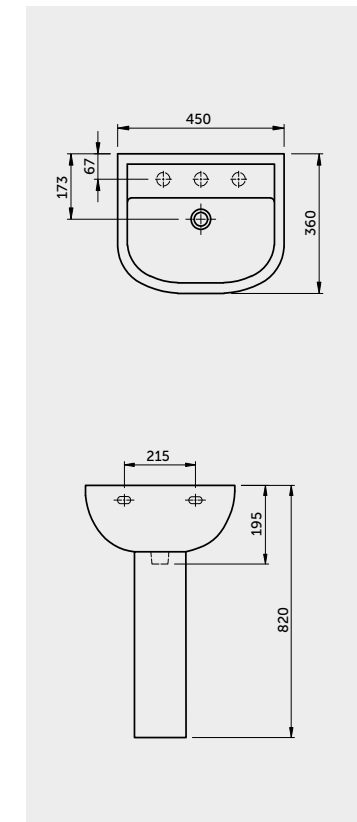
Models



FLORA 18
Wash Basin 18"x14"
Flora 18 Full Pedestal
450X360X195



FLORA 22
Wash Basin 22"x18"
555 X 450 X 205
Full Pedestal



Notes

All dimensions in mm tolerance +5% for below 200mm and +3% for above 200mm | Colours shown here are as close to actual sanitaryware as printing process will allow

Notes

All dimensions in mm tolerance +5% for below 200mm and +3% for above 200mm | Colours shown here are as close to actual sanitaryware as printing process will allow

WASH BASINS HALF PEDESTAL



MISTRAL
Wash Basin
Half Pedestal
510X395X160
650X485X195

Notes

All dimensions in mm tolerance +5% for below 200mm and +3% for above 200mm | Colours shown here are as close to actual sanitaryware as printing process will allow

WASH BASINS HALF PEDESTAL

Models



MISTRAL
Wash Basin
Mistral Half Pedestal
650X485X195



MISTRAL
Wash Basin
Mistral Half Pedestal
510X395X160

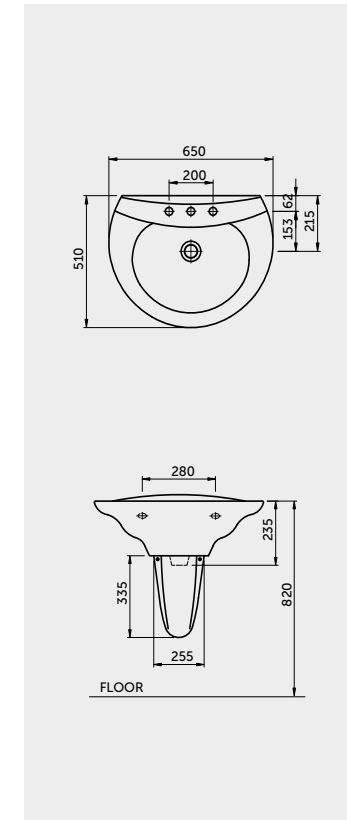
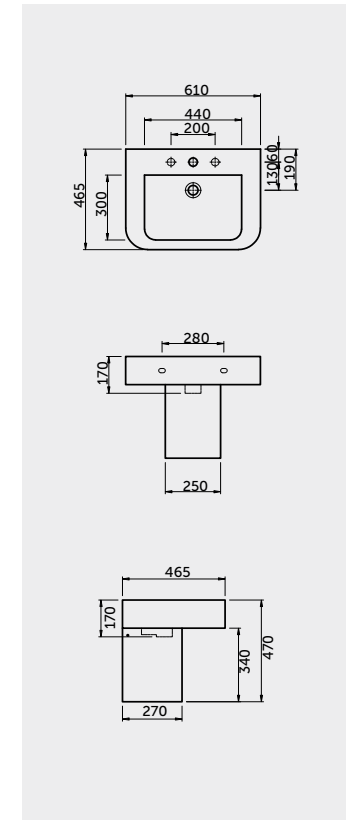
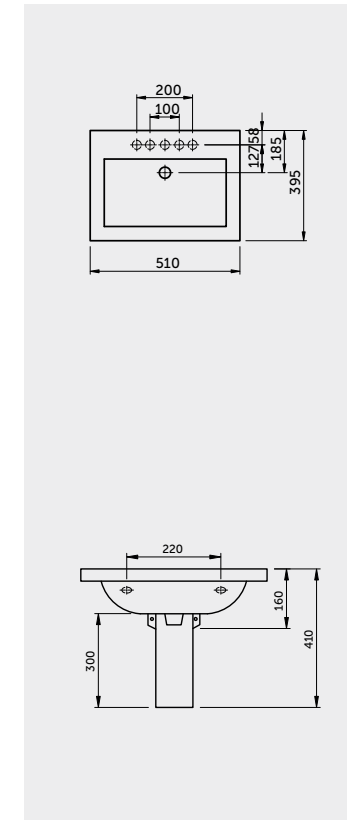
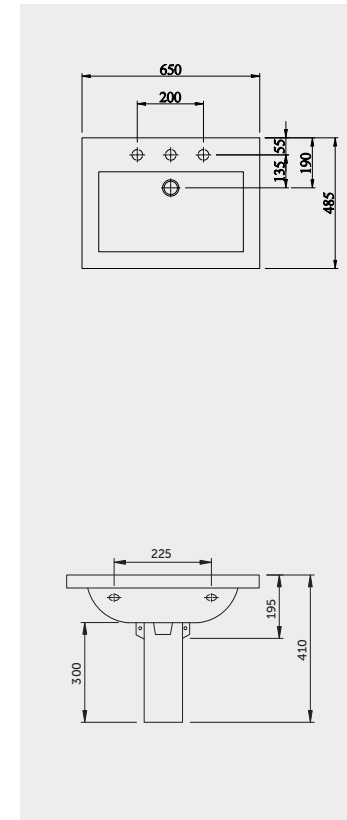


RONDO
Wash Basin
Rondo Half Pedestal
610X465X170



VENICE
Wash Basin
Venice Half Pedestal
650X510X235

Measurements



Notes

All dimensions in mm tolerance +5% for below 200mm and +3% for above 200mm | Colours shown here are as close to actual sanitaryware as printing process will allow

WASH BASINS HALF PEDESTAL

Models



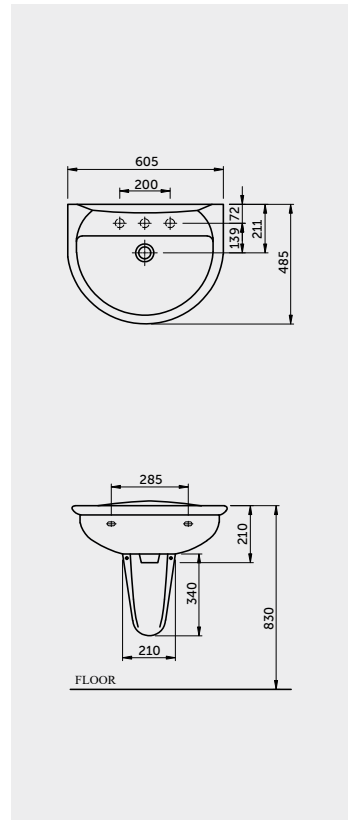
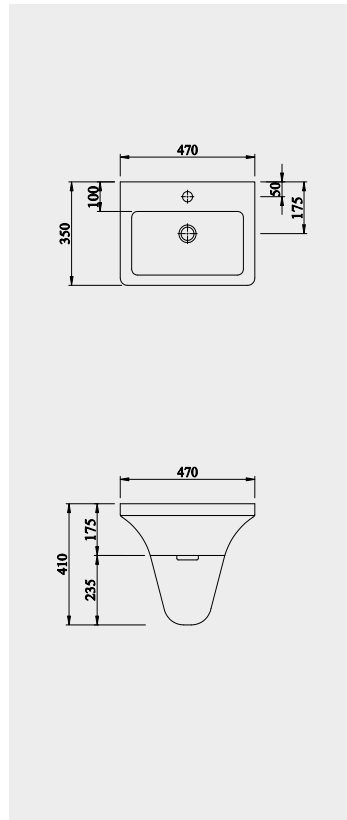
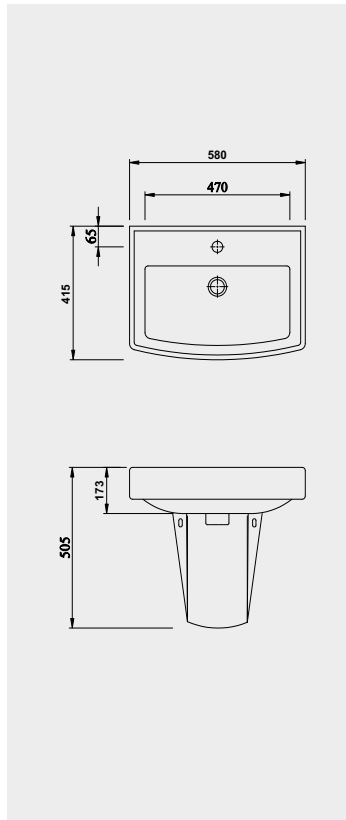
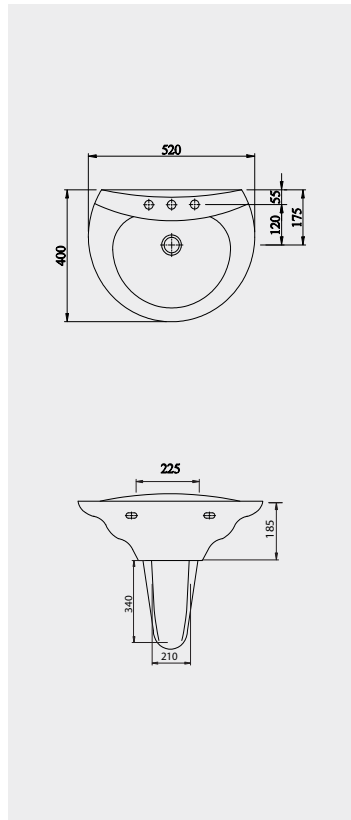
VENICE
Wash Basin
Universal Half Pedestal
520X400X185

NEO
Wash Basin
Neol Half Pedestal
580X415X173

KIDO
Wash Basin
Kido Half Pedestal
470x350x175

KARLA
Wash Basin
Universal Half Pedestal
605X485X210

Measurements



Notes

All dimensions in mm tolerance +5% for below 200mm and +3% for above 200mm | Colours shown here are as close to actual sanitaryware as printing process will allow

WASH BASINS HALF PEDESTAL



COMPACT
Wash Basin
Half Pedestal
550X410X195

Notes

All dimensions in mm tolerance +5% for below 200mm and +3% for above 200mm | Colours shown here are as close to actual sanitaryware as printing process will allow

WASH BASINS HALF PEDESTAL

Models



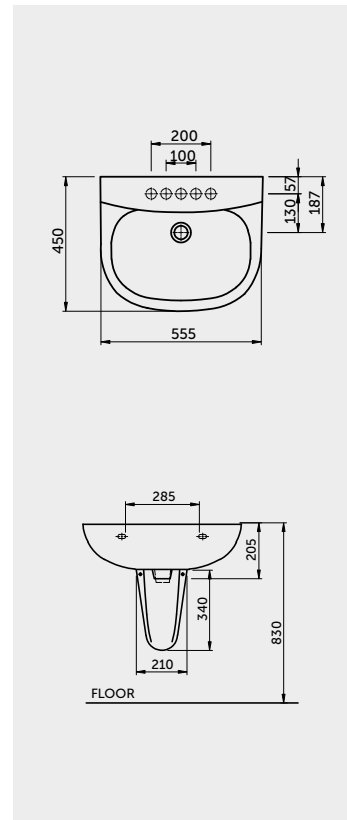
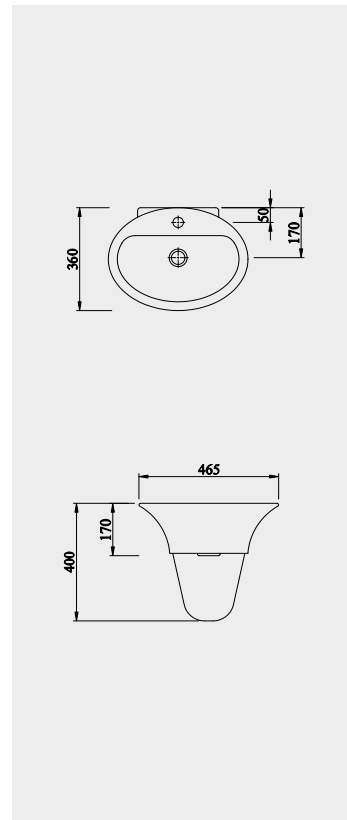
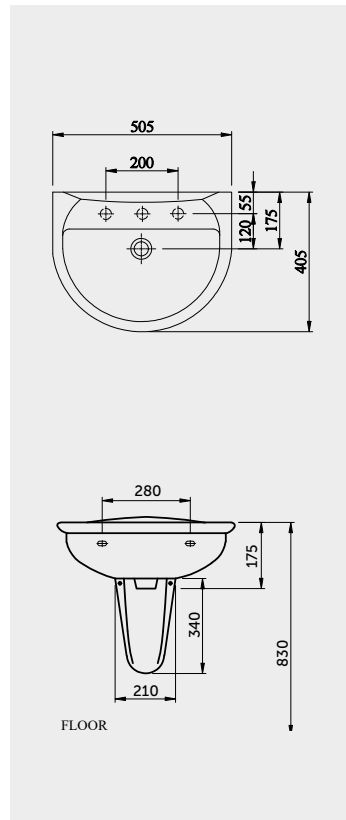
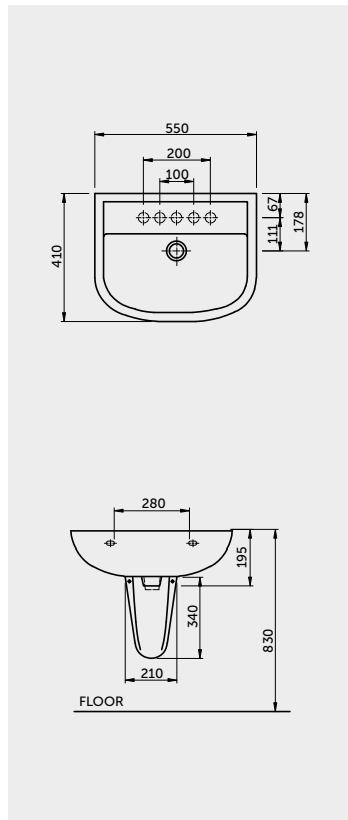
COMPACT
Wash Basin
Compact Half Pedestal
550X410X195

KARLA
Wash Basin
Universal Half Pedestal
505X405X175

SPORTY
Wash Basin
Sporty Half Pedestal
465X360X170

FLORA 22
Wash Basin 22"x18"
Compact Half Pedestal
555X450X205

Measurements



Notes

All dimensions in mm tolerance +5% for below 200mm and +3% for above 200mm | Colours shown here are as close to actual sanitaryware as printing process will allow

WASH BASINS HALF PEDESTAL

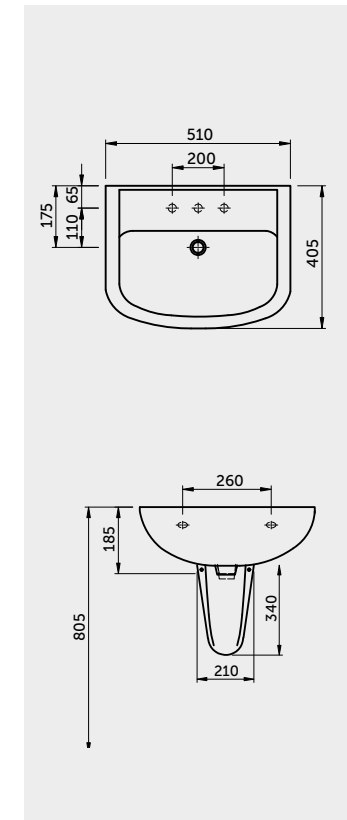
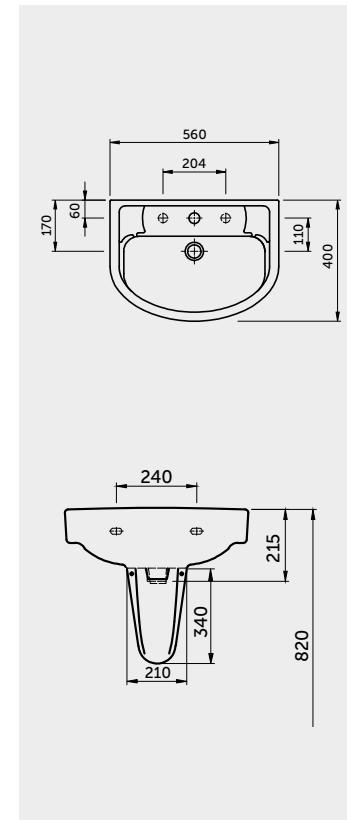
Models



ORCHID
Wash Basin
Compact Half Pedestal
560X400X215

FLORA 20
Wash Basin 20"x16"
Compact Half Pedestal
510X405X185

Measurements



Notes

All dimensions in mm tolerance +5% for below 200mm and +3% for above 200mm | Colours shown here are as close to actual sanitaryware as printing process will allow

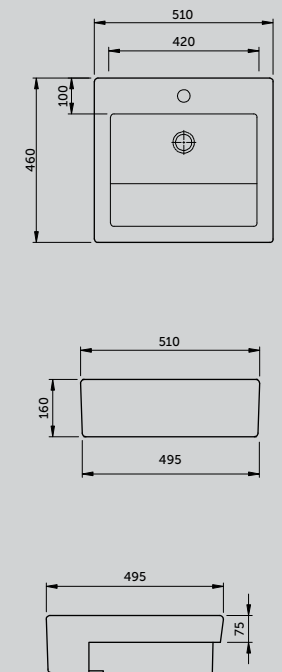
SEMI RECESSED

Models



ROVER
Semi Recessed W.B.
510X460X160
460X415X130
410X410X150

Measurements





KIA
Urinal (With Sensor)
345X310X695

Electronic sensor urinal flush available

Notes

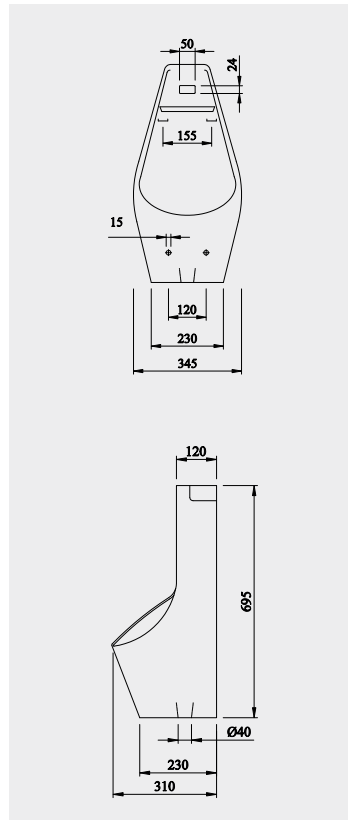
All dimensions in mm tolerance +5% for below 200mm and +3% for above 200mm | Colours shown here are as close to actual sanitaryware as printing process will allow

Models



KIA
Urinal (With Sensor)
345X310X695

Measurements



Models



RECTA
Urinal
620 X 330 X 310



IVO
Urinal
290X350X500

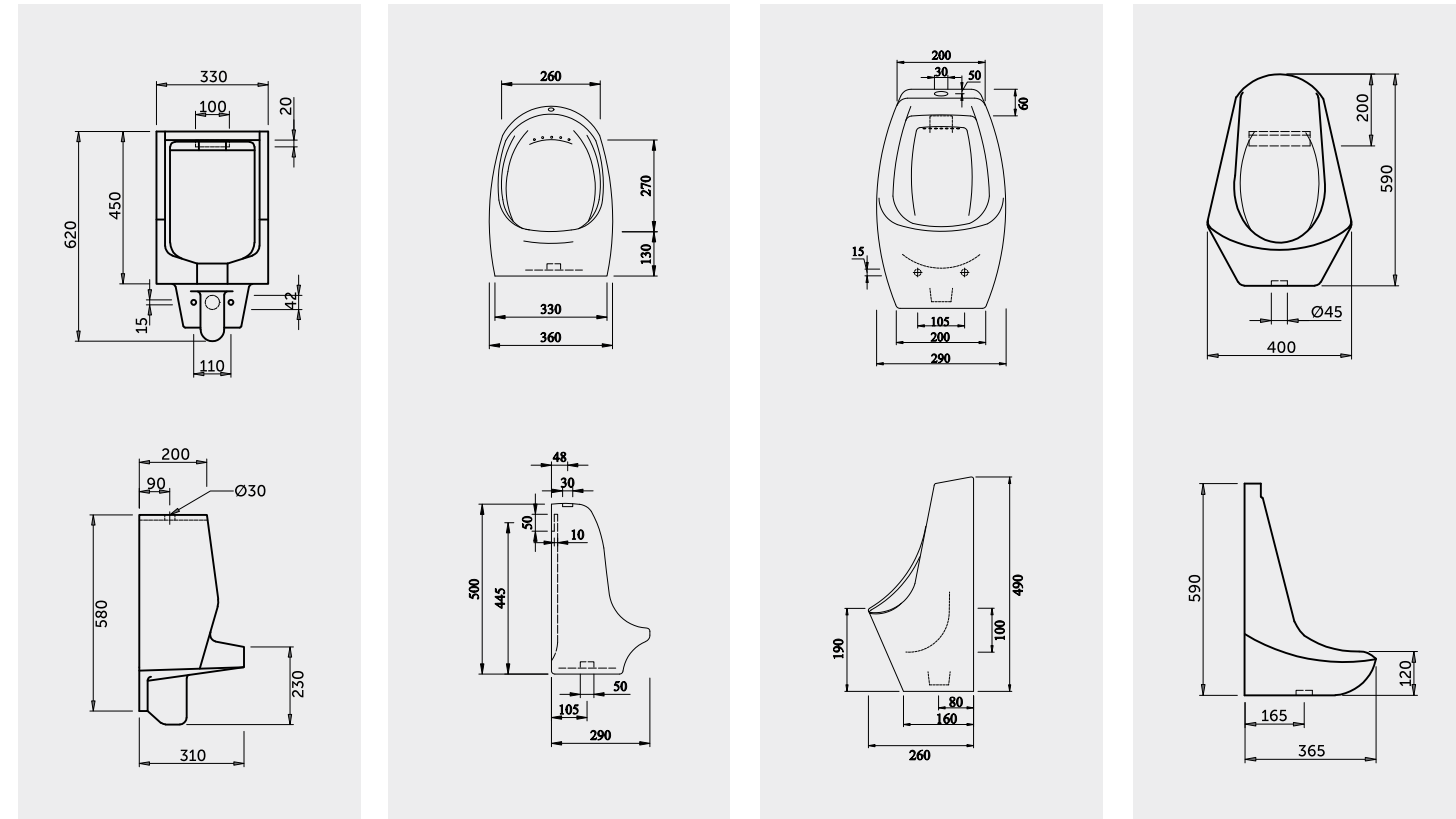


OTIS
Urinal
260X290X490



JAZIRA
Urinal
365X400X590 (LARGE)

Measurements



All dimensions in mm tolerance +5% for below 200mm and +3% for above 200mm | Colours shown here are as close to actual sanitaryware as printing process will allow

Models



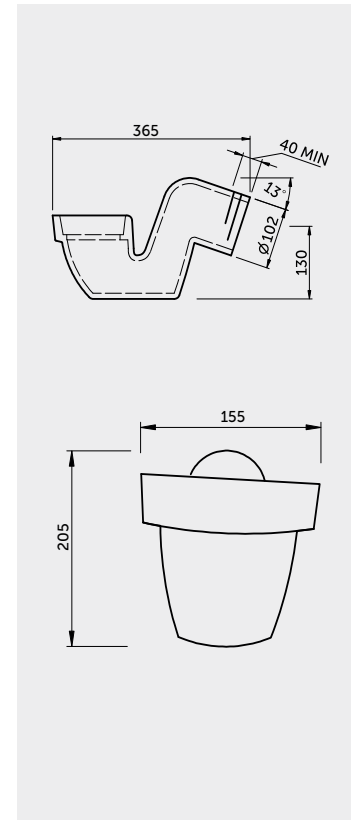
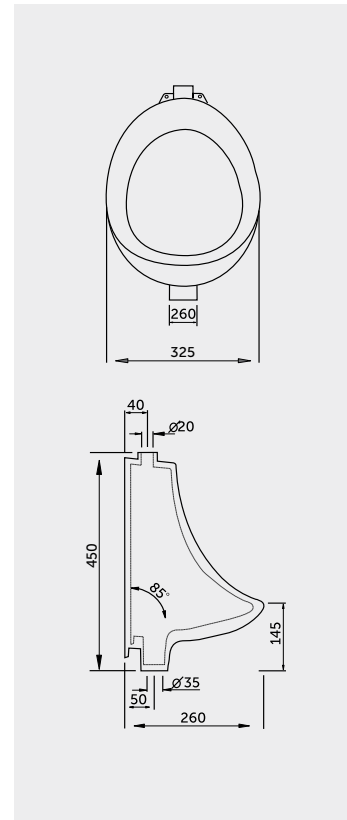
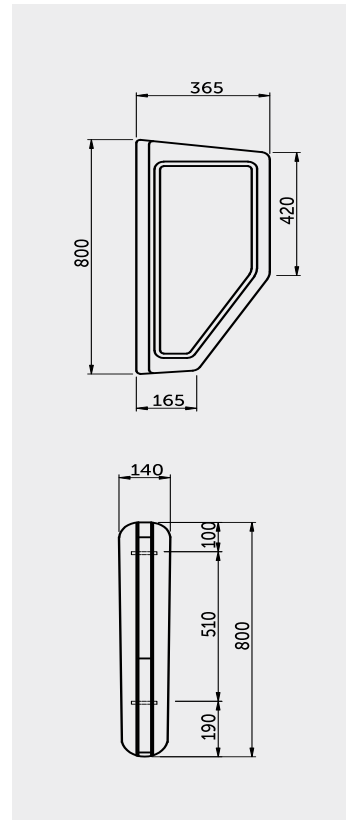
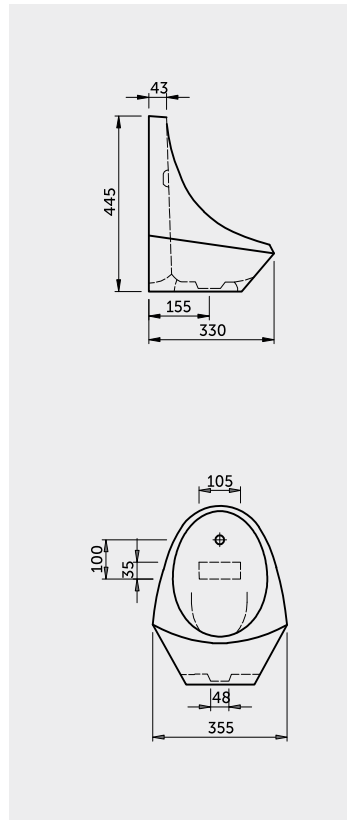
JAZIRA
Urinal (Small Bowl)
355X330X445

URINAL PARTITION
365X140X800

FLAT BACK URINAL
Urinal
260X325X450

P TRAP
365X155X205

Measurements



Notes

All dimensions in mm tolerance +5% for below 200mm and +3% for above 200mm | Colours shown here are as close to actual sanitaryware as printing process will allow

Models



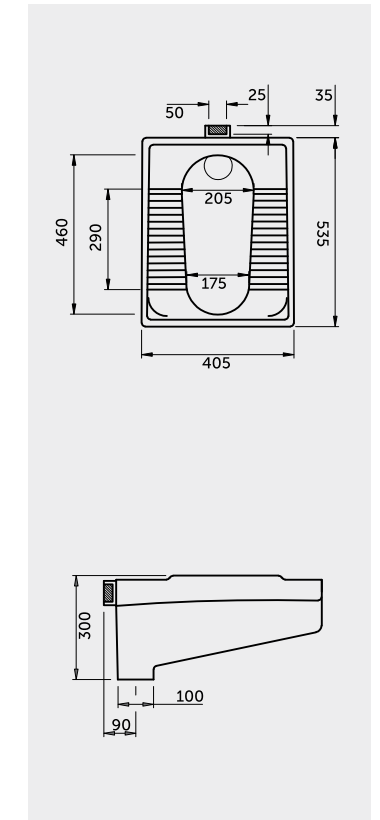
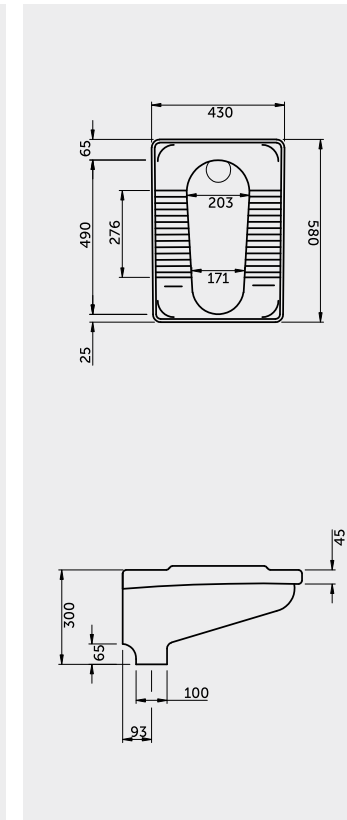
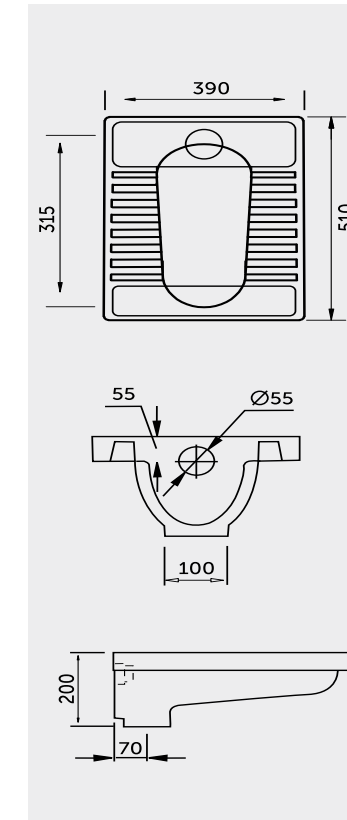
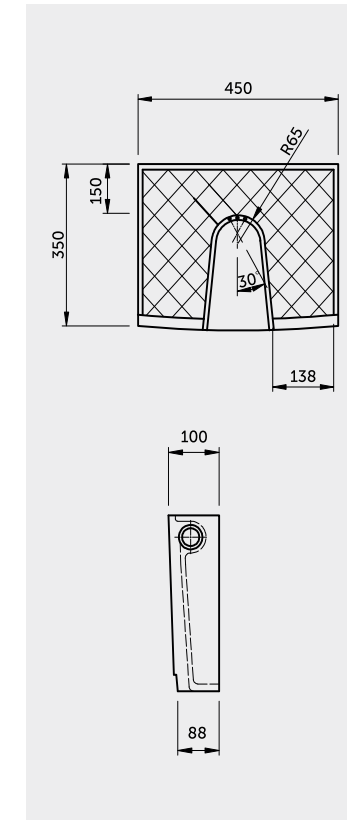
SQUATTING URINAL
Urinal
450X350X100

ASIAN PAN
510X390X200

ORISSA
Pan 23"
580X430X300

ORISSA
Pan 21"
535X405X300

Measurements



Notes

All dimensions in mm tolerance +5% for below 200mm and +3% for above 200mm | Colours shown here are as close to actual sanitaryware as printing process will allow

RAK CERAMICS

INTRODUCING SMART PACK FOR SMART PEOPLE



EWC-S-TRAP



MAWJA DELUXE SINGLE FLUSH



POPULAR PP SEAT COVER





Product
S TRAP Regular EWC - White EUWCSPKWHOPA
S TRAP Regular EWC - Ivory EUWCSPKNIOPA
S TRAP Popular EWC - White POWCSPKWHOPA
S TRAP Popular EWC - Ivory POWCSPKNIOPA
P TRAP Regular EWC - White EUWCPTSPKWHOPA
P TRAP Regular EWC - Ivory EUWCPTSPKNIOPA

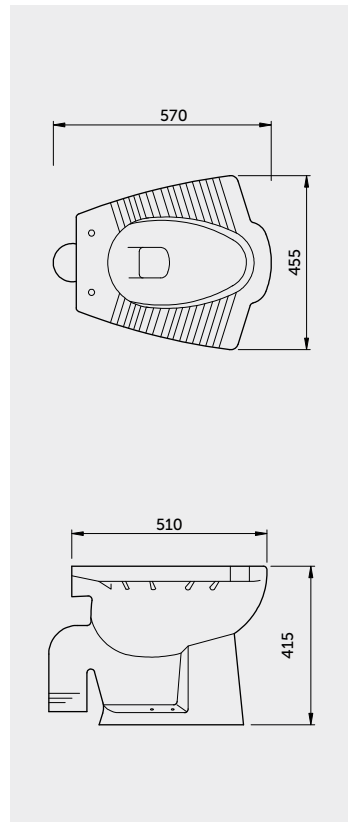
- Space Saver
- Ease of handling and Storage
- Innovative Solution
- Cost Effective
- Available in White and New Ivory
- Available in EWC Regular and EWC Popular

Models



ANGLO INDIAN EWC
S & P Trap
PP Seat Cover
570X455X415

Measurements



Models



E.W.C. CONCEALED
S Trap
Standard PP Seat Cover
600X365X395



E.W.C. S TRAP
S Trap
Standard P. P. Plain
Seat Cover
560X360X390

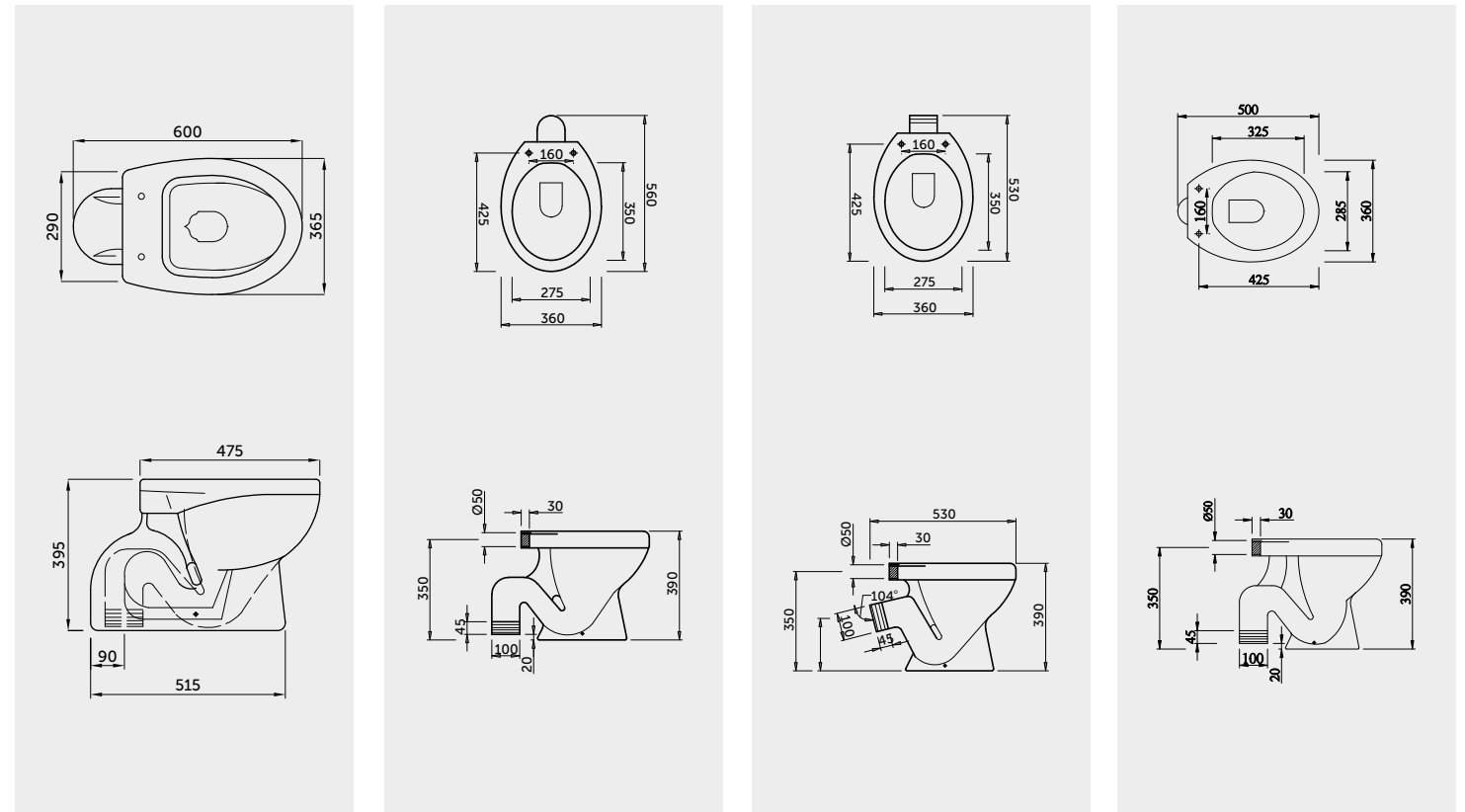


E.W.C. P TRAP
P Trap
Standard P. P. Plain
Seat Cover
530X360X390



POPULAR EWC
S Trap
Standard P. P. Plain
Seat Cover
500X360X390





Measurements



Notes
All dimensions in mm tolerance +5% for below 200mm and +3% for above 200mm | Colours shown here are as close to actual sanitaryware as printing process will allow







Notes
All dimensions in mm tolerance +5% for below 200mm and +3% for above 200mm | Colours shown here are as close to actual sanitaryware as printing process will allow

Models

			
AQUA FLUSH	AQUA FLUSH	MAWJA DELUXE NEO CISTERN	MAWJA DELUXE NEO CISTERN
PVC Single Flush	PVC Dual Flush	PVC Single Flush Opt: Center Push/Top Push	PVC Dual Flush
			
MAWJA SLIM	ULTIMATE CISTERN	ULTIMATE CISTERN	AQUA NEO
PVC Single Flush	PVC Single Flush Opt: Center Push/Top Push	PVC Dual Flush	PVC Single Flush
			
LEHER	SEAT COVER WITH JET SPRAY	STAR	
PVC Single Flush	Seat Cover with Jet Spray	Health Faucet with SS CP extensible tube & hook (ABS)	

All dimensions in mm tolerance +5% for below 200mm and +3% for above 200mm | Colours shown here are as close to actual sanitaryware as printing process will allow

Models

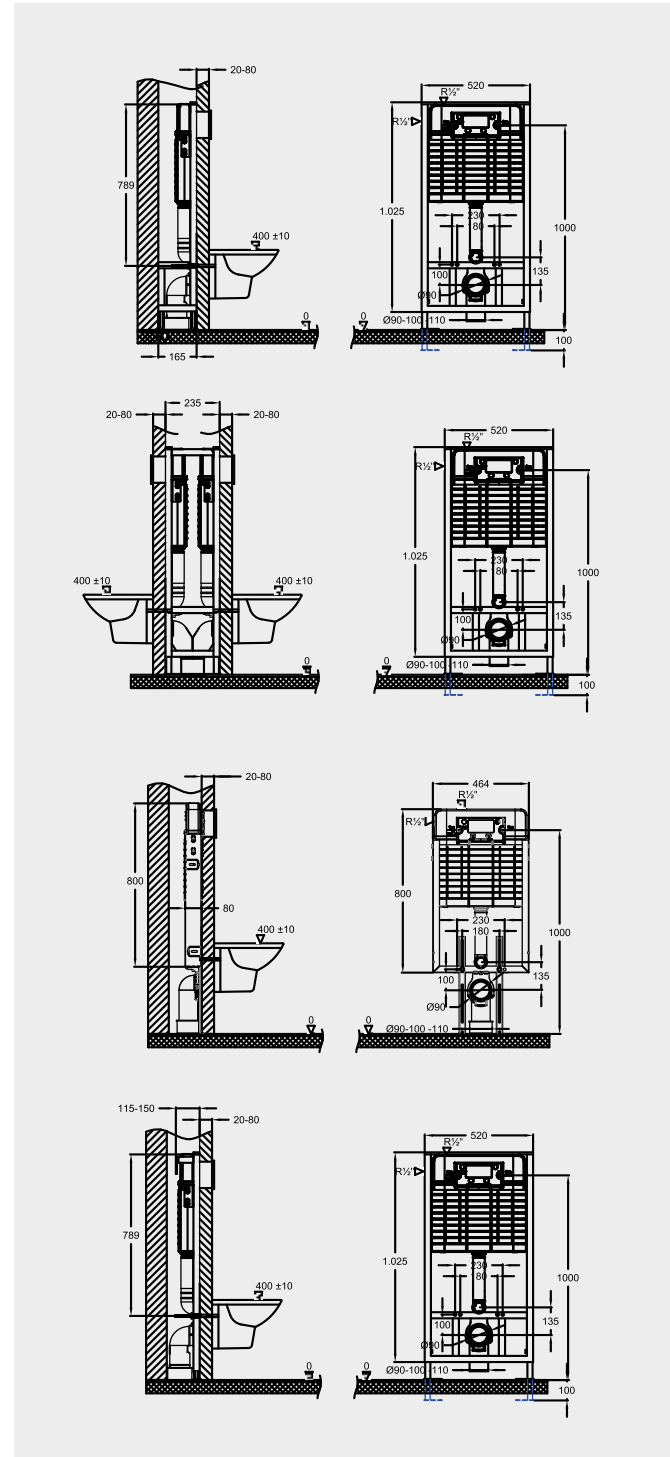
	PNEUMATIC CONCEALED CISTERN	
		
	PNEUMATIC Push Plate Chrome Kube 40x160x240	PNEUMATIC Push Plate Chrome Globe 40x160x240
TIGRIS PNEUMATIC CONCEALED CISTERN	In ₹	
Tigris Pneumatic Concealed Cistern Without Frame 80mm Thickness	6900	
	MECHANICAL CONCEALED CISTERN	
		
	MECHANICAL Push Plate Chrome Kube 40x160x240	MECHANICAL Push Plate Chrome Globe 40x160x240
NILE MECHANICAL CONCEALED CISTERN	In ₹	
Nile Mechanical Concealed Cistern Without Frame 80mm Thickness	4990	

All dimensions in mm tolerance +5% for below 200mm and +3% for above 200mm | Colours shown here are as close to actual sanitaryware as printing process will allow

Models



CONCEALED CISTERN
Concealed Cistern 80
With Galvanized Frame



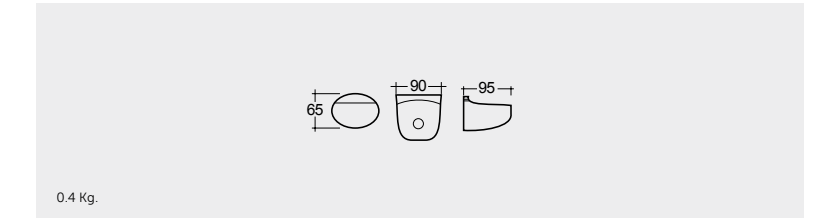
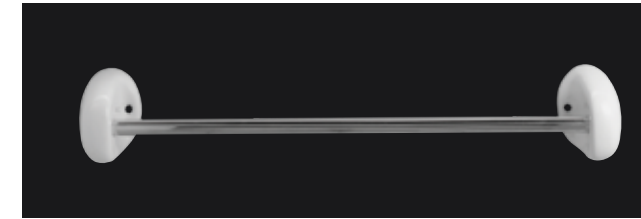
Notes

Colours shown here are as close to actual sanitaryware as printing process will allow

Models

Towel Rail Holder

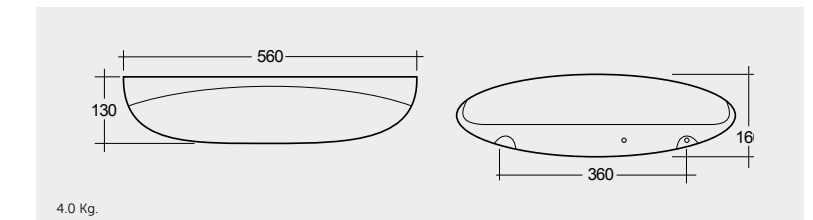
ER27AWHA



0.4 Kg.

Shelf

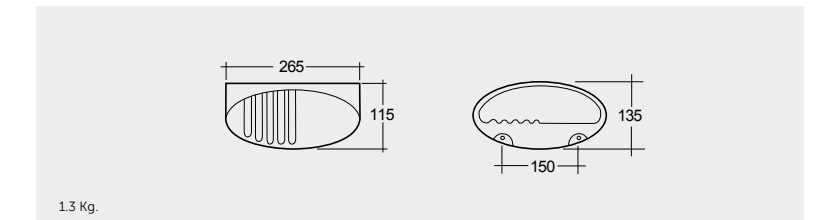
ER21AWHA



4.0 Kg.

Big Soap Holder

ER24AWHA



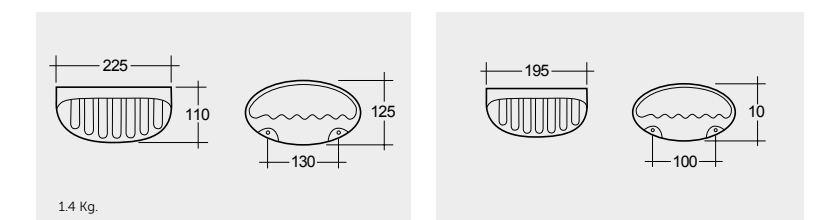
1.3 Kg.

Soap Holder Medium

ER25AWHA

Soap Holder Small

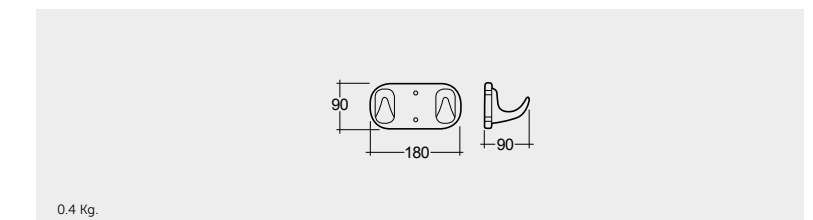
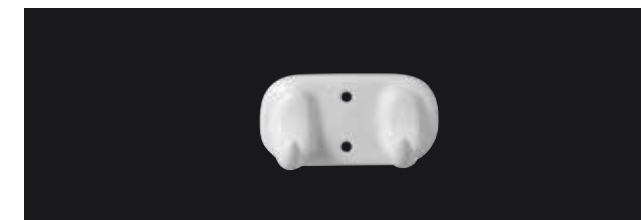
ER26AWHA



1.4 Kg.

Robe Hook

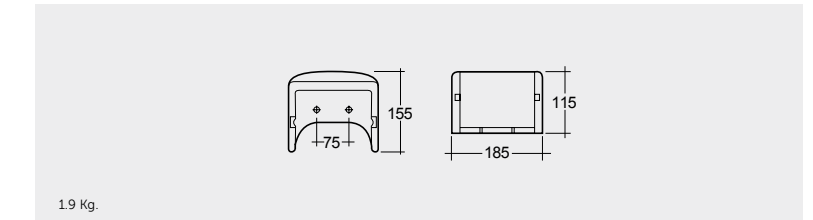
ER22AWHA



0.4 Kg.

Paper Holder

ER23AWHA

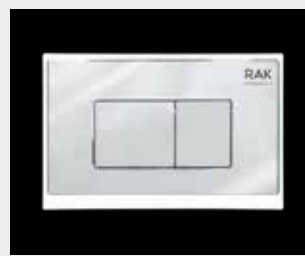
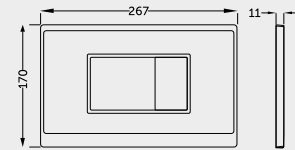


1.9 Kg.

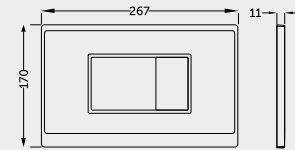
Models



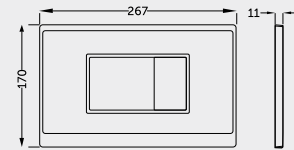
KUBE CHROME BLACK SATIN CHROME - Control Plate 4X18X290



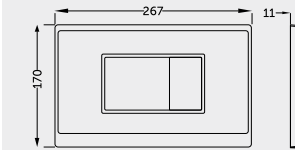
KUBE WHITE CHROME CHROME - Control Plate 4X18X290



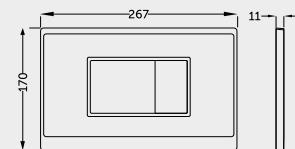
KUBE CHROME WHITE WHITE - Control Plate 4X18X290



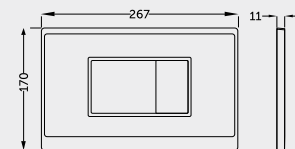
KUBE FULL CHROME CHROME - Control Plate 4X18X290



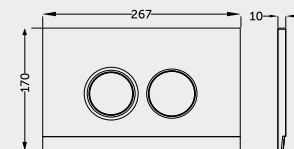
KUBE BLACK CHROME CHROME - Control Plate 4X18X290



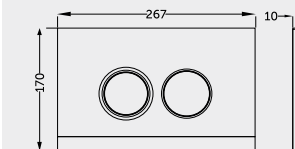
KUBE BLACK SATIN CHROME CHROME - Control Plate 4X18X290



GLOBE BLACK CHROME Control Plate 4X18X290



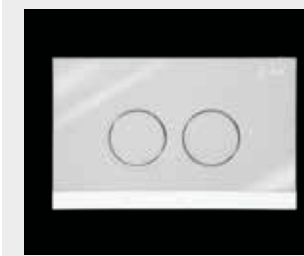
GLOBE WHITE CHROME Control Plate 4X18X290



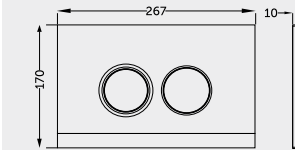
Notes

Colours shown here are as close to actual sanitaryware as printing process will allow

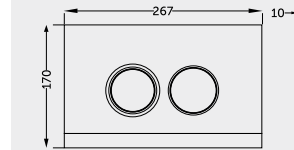
Models



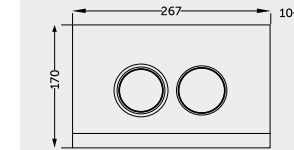
GLOBE CHROME WHITE CHROME - Control Plate 4X18X290



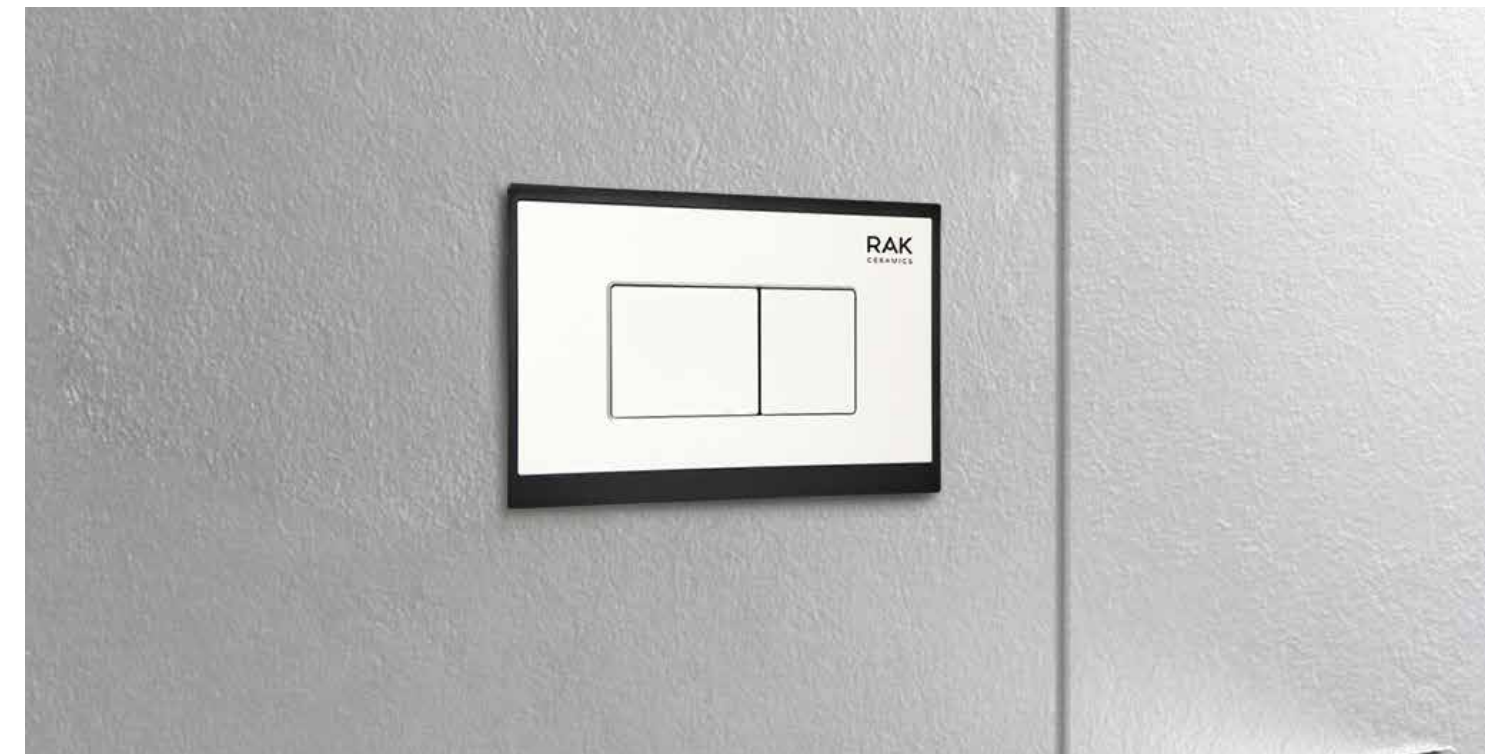
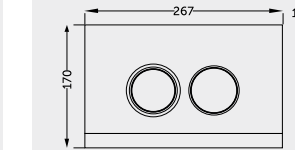
GLOBE FULL CHROME FULL CHROME - Control Plate 4X18X290



GLOBE SATIN SATIN CHROME - Control Plate 4X18X290



GLOBE WHITE SATIN CHROME - Control Plate 4X18X290



Notes

Colours shown here are as close to actual sanitaryware as printing process will allow

RAK OFFICES AND FLAGSHIP SHOWROOMS

EAST

BHUBANESWAR

Plot no-1127/3015, 1st Floor, Lane-2, Govind Prasad, Unit-32, Jayadurga Nagar, Bomikhal, Bhubaneswar-751006, (INDIA). Mob.: 9238000120, 9238010071

KOLKATA

11A/1D, East Topsia Road, Garg House, 3rd Floor, Opp. Fleming Hospital, Kolkata-700046, WB, (INDIA). Tel. +91-33-46020541
Mob.: 9238000120, 9238010071

WEST

AHMEDABAD

102-103, Shilp Aaron, Sindhu Bhavan Road, Nr-Pakwan Cross Road, Ahmedabad -380054, Gujarat, (INDIA). Tel: 079-29705205

MUMBAI: SANTACRUZ

Dheeraj Heritage, 19, 1st Floor, Junction of Milan Subway, S. V. Road, Santacruz (W), Mumbai - 400054, (INDIA). Tel.: 022-26605 938/937

MUMBAI: MALAD

Carnival House, 1st Floor, Vasant Valley, AK Vaidya Marg, MHB Colony, Dindoshi, Malad East Opposite Oberoi mall, Mumbai, Maharashtra 400097.

MORBI

1st Floor, Dhanraj Chambers, Near Kuber Talkies, Morbi-2 Dist. – Rajkot, Gujarat – 363642, (INDIA). Tele/fax. No. 02822-243110

PUNE

Shop No. 12, 13 & 14, Vega Center, Near Income Tax Office, Shankarseth Road, Pune – 411037, (INDIA). Tel: 020-4122-0634

SOUTH

BANGALORE

#116, Unit no 108, 1st floor, Pride Hulkul, Opposite to Passport Office, Lalbagh Road, Bangalore-560027. Tel : 080 41710394

CHENNAI

Amient House, New No.7 Old No 3- A First Floor, Kodambakkam High Road, Nungambakkam, Chennai-600034, (INDIA). Tel: 044 48545434

COCHIN

Highway Heights, 2nd & 3rd Floor, National Highway Bypass, Thammanam, Kochi-682032, (INDIA). Tel: 0484-2985535, Mob.: 9288955281

SAMALKOT

P.B. NO. 11, IDA Peddapuram, ADB Road, Samalkot East, Godavari District, AP- 533440, (INDIA). Tel: 91 884 2329344.

NORTH

CHANDIGARH

SCO 9A, 1st Floor, Madhya Marg, Sector 7C, Chandigarh-160019, (INDIA). Tel: 0172- 4026052

GURUGRAM

SCO-310, SECTOR-29, HUDA CITY CENTRE, GURUGRAM - 122001 Mob.: 8745009998



RAK CERAMICS
Carnival House, 1st Floor,
Near Dindoshi Fire Station,
Off Gen. A. K. Vaidya Marg,
Malad (East). Mumbai 400097.
Maharashtra. India.
Toll Free: 18001025829

RAKCERAMICS.COM/INDIA

RAK

CERAMICS